

# Portable Power Drive



## **⚠ WARNING!**

Read this Operator's Manual carefully before using this tool. Failure to understand and follow the contents of this manual may result in electrical shock, fire and/or serious personal injury.

## Table of Contents

<b>Recording Form for Machine Model and Serial Number .....</b>	<b>1</b>
<b>General Safety Rules</b>	
Work Area .....	2
Electrical Safety .....	2
Personal Safety.....	2
Tool Use and Care.....	3
Service.....	3
<b>Specific Safety Information</b>	
Power Drive Safety .....	3
<b>Description, Specifications and Standard Equipment</b>	
Description .....	3
Specifications.....	4
Standard Equipment .....	4
Accessories.....	4
<b>Power Drive Inspection.....</b>	<b>5</b>
<b>Tool and Work Area Set-Up.....</b>	<b>5</b>
<b>Operating Instructions For Threading With Drop Head Die Heads .....</b>	<b>6</b>
<b>Accessories .....</b>	<b>7</b>
<b>Maintenance Instructions</b>	
Motor Brush Replacement .....	8
Lubrication .....	8
<b>Tool Storage .....</b>	<b>8</b>
<b>Service and Repair .....</b>	<b>8</b>
<b>Troubleshooting .....</b>	<b>9</b>
<b>Wiring Diagram.....</b>	<b>10</b>
<b>Lifetime Warranty .....</b>	<b>Back Cover</b>

700

# 700 Portable Power Drive



**RIDGID**<sup>®</sup>

### 700 Portable Power Drive

Record Serial Number below and retain product serial number which is located on nameplate.

Serial  
No.

--	--

## General Safety Rules

**WARNING!** Read and understand all instructions. Failure to follow all instructions listed below may result in electric shock, fire, and/or serious personal injury.

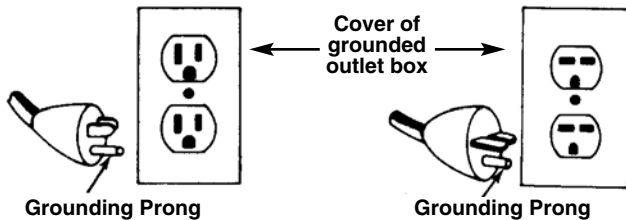
### SAVE THESE INSTRUCTIONS!

#### Work Area

- **Keep your work area clean and well lit.** Cluttered benches and dark areas invite accidents.
- **Do not operate power tools in explosive atmospheres, such as in the presence of flammable liquids, gases, or dust.** Power tools create sparks which may ignite the dust or fumes.
- **Keep by-standers, children, and visitors away while operating a power tool.** Distractions can cause you to lose control.
- **Keep floors dry and free of slippery materials such as oil.** Slippery floors invite accidents.

#### Electrical Safety

- **Grounded tools must be plugged into an outlet, properly installed and grounded in accordance with all codes and ordinances. Never remove the grounding prong or modify the plug in any way. Do not use any adapter plugs. Check with a qualified electrician if you are in doubt as to whether the outlet is properly grounded.** If the tool should electrically malfunction or break down, grounding provides a low resistance path to carry electricity away from the user.



- **Avoid body contact with grounded surfaces such as pipes, radiators, ranges and refrigerators.** There is an increased risk of electrical shock if your body is grounded.
- **Do not expose electrical power tools to rain or wet conditions.** Water entering a power tool will increase the risk of electrical shock.
- **Do not abuse cord. Never use the cord to carry the tools or pull the plug from an outlet. Keep cord away from heat, oil, sharp edges or moving parts. Replace damaged cords immediately.** Damaged cords increase the risk of electrical shock.

- **When operating a power tool outside, use an outdoor extension cord marked “W-A” or “W”.** These cords are rated for outdoor use and reduce the risk of electrical shock.
- **Use only three-wire extension cords which have three-prong grounding plugs and three-pole receptacles which accept the tool’s plug.** Use of other extension cords will not ground the tool and increase the risk of electrical shock.
- **Use proper extension cords.** (See Chart) Insufficient conductor size will cause excessive voltage drop and loss of power.

Minimum Wire Gauge for Extension Cord			
Nameplate Amps	Total Length (in feet)		
	0 – 25	26 – 50	51 – 100
0 – 6	18 AWG	16 AWG	16 AWG
6 – 10	18 AWG	16 AWG	14 AWG
10 – 12	16 AWG	16 AWG	14 AWG
12 – 16	14 AWG	12 AWG	NOT RECOMMENDED

- **Keep all electric connections dry and off the ground. Do not touch plugs or tool with wet hands.** Reduces the risk of electrical shock.

#### Personal Safety

- **Stay alert, watch what you are doing and use common sense when operating a power tool. Do not use tool while tired or under the influence of drugs, alcohol or medication.** A moment of inattention while operating power tools may result in serious personal injury.
- **Dress properly. Do not wear loose clothing or jewelry. Contain long hair. Keep your hair, clothing and gloves away from moving parts.** Loose clothes, jewelry or long hair can be caught in moving parts.
- **Avoid accidental starting. Be sure switch is OFF before plugging in.** Carrying tools with your finger on the switch or plugging in tools that have the switch ON invites accidents.
- **Remove adjusting keys or wrenches before turning the tool ON.** A wrench or a key that is left attached to a rotating part of the tool may result in personal injury.
- **Do not overreach. Keep proper footing and balance at all times.** Proper footing and balance enables better control of the tool in unexpected situations.
- **Use safety equipment. Always wear eye protection.** Dust mask, non-skid safety shoes, hard hat or hearing protection must be used for appropriate conditions.

## Tool Use and Care

- **Use clamps or other practical way to secure and support the workpiece to a stable platform.** Holding the work by hand or against your body is unstable and may lead to loss of control.
- **Do not force tool. Use the correct tool for your application.** The correct tool will do the job better and safer at the same rate for which it is designed.
- **Do not use tool if switch does not turn the tool ON or OFF.** Any tool that cannot be controlled with the switch is dangerous and must be repaired.
- **Disconnect the plug from the power source before making any adjustments, changing accessories or storing the tool.** Such preventive safety measures reduce the risk of starting the tool accidentally.
- **Store idle tools out of the reach of children and other untrained persons.** Tools are dangerous in the hands of untrained users.
- **Maintain tools with care. Keep cutting tools sharp and clean.** Properly maintained tools with sharp cutting edges are less likely to bind and are easier to control.
- **Check for misalignment or binding of moving parts, breakage of parts and any other condition that may affect the tool's operation. If damaged, have the tool serviced before using.** Many accidents are caused by poorly maintained tools.
- **Use only accessories that are recommended for your tool.** Accessories that may be suitable for one tool may become hazardous when used on another tool.
- **Keep handles dry and clean; free from oil and grease.** Allows for better control of the tool.

## Service

- **Tool service must be performed only by qualified repair personnel.** Service or maintenance performed by unqualified repair personnel could result in risk of injury.
- **When servicing a tool, use only identical replacement parts. Follow instructions in the Maintenance Section of this manual.** Use of unauthorized parts or failure to follow maintenance instructions may create a risk of electrical shock or injury.

## Specific Safety Information

### ▲ WARNING

**Read this operator's manual carefully before using the 700 Power Drive. Failure to understand and follow the contents of this manual may result in electrical shock, fire and/or serious personal injury.**

Call Ridge Tool Technical Service Department at (800) 519-3456 if you have any questions.

## Power Drive Safety

- **The Power Drive is made to turn threaders and other equipment. Follow instructions in this Operator's Manual on proper use when threading. When using it to power other equipment, read and follow the safety and operating instructions provided with that equipment.** Other uses may increase the risk of serious injury.
- **When threading one inch or larger pipe, secure Power Drive using a No. 775 Support Arm. Hold Power Drive firmly. If the Power Drive cannot be secured by a Support Arm, use other mechanical means such as a pipe wrench.** Resists high handle forces developed during use and prevents losing control of the tool.
- **Do not use this power drive if switch is broken.** This switch is a safety device that lets you shut off the motor by removing your finger.
- **Do not wear gloves or loose clothing when operating Power Drive. Keep sleeves and jackets buttoned. Do not reach across rotating tool parts or workpiece.** Clothing can be caught resulting in entanglement and serious injury.
- **When using to power equipment other than threaders, the 700 Power Drive may have to be secured to resist high handle forces.** Handle forces that are developed will depend on the application. High handle forces may cause serious injury.
- **Do not use dull or damaged dies.** Sharp cutting dies require less torque and the Power Drive is easier to control.

## Description, Specifications and Standard Equipment

### Description

The RIDGID Model 700 Power Drive provides rotational motion for threading pipe, conduit and rod (bolt stock) and other purposes. Forward and Reverse rotation can be selected with the REV/OFF/FOR switch.

The Power Drive is designed for use with the No. 12R Die Heads ( $\frac{1}{8}$ " – 2" pipe). Other RIDGID drop head die heads (00R, 00-RB, 11R) require the use of adapters. A manual oiling system is available to flood the work during the threading operations. The No. 775 Support Arm should be used to secure the Power Drive and resist high handle forces developed when threading one inch or larger pipe with drop head die heads.

The RIDGID Model 700 Power Drive can also be used in other applications such as to power the RIDGID 258 Pipe Cutter and to turn valves. These applications require the use of the No. 774 Square Drive Adapter.

**Specifications/Standard Equipment**

**Threading Capacity**

Pipe and Conduit.....Drop Head Die Heads:  $\frac{1}{8}$ " – 2";  
 No. 00-RB Die Head:  $\frac{1}{4}$ " – 1"

Motor:

Type .....Universal

Horsepower ..... $\frac{1}{2}$  HP

Volts .....115V Single Phase AC, 25-60  
 HZ (230V On Request)

Amps .....13 amps

Switch.....2-Pole, Double Throw (Rever-  
 sible), Spring Return to Center  
 OFF Position

Operating Speed .....32 RPM (no load)

Gear Head.....All Spur-gear Reduction.  
 Spring-loaded Adapter Pawls.  
 Hardened Steel Spindle Gear

Body .....Gear Case, Motor Housing and  
 Handle Are Cast Aluminum.

Length .....28 $\frac{1}{4}$ "

Weight .....25 lbs.

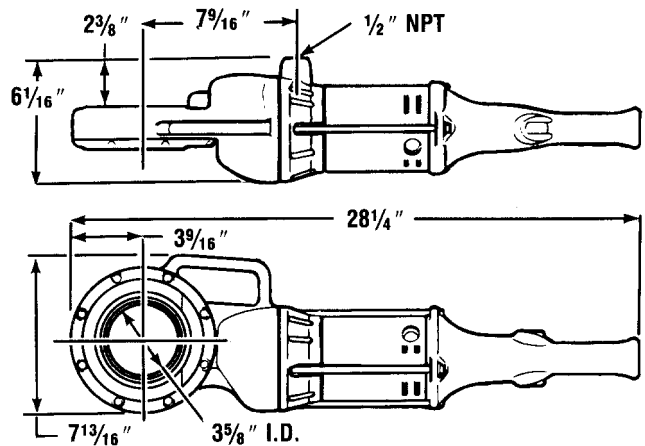


Figure 2 – No. 700 Power Drive

Catalog No.	Model No.	Description	Weight	
			lb.	kg.
41935	700	115V, 25-60 HZ	25	11
41940	700	230V, 25-60 HZ	25	11

**Accessories**

No. 12-R Die Heads (9)... $\frac{1}{8}$ ",  $\frac{1}{4}$ ",  $\frac{3}{8}$ ",  $\frac{1}{2}$ ",  $\frac{3}{4}$ ", 1", 1 $\frac{1}{4}$ ",  
 1 $\frac{1}{2}$ ", 2"

No. 418 Oiler .....Oiler with 1 Gallon RIDGID  
 Thread Cutting Oil

No. 775 Support Arm.....Absorbs Power Drive Handle  
 Forces

Carrying Case .....For Power Drive and Die Heads

No. 460 TRISTAND Chain Vise

**Adapters for Drop Head Die Heads**

Die Head Model No.	Pipe and Conduit Capacity	Use Adapter Model No.
12-R	$\frac{1}{8}$ " through 2"	—
00-R	$\frac{1}{8}$ " through 1"	770
O-R	$\frac{1}{8}$ " through 1"	771
11-R	$\frac{1}{8}$ " through 1 $\frac{1}{4}$ "	772
111-R	$\frac{1}{8}$ " though 1 $\frac{1}{4}$ "	773
00-RB	$\frac{1}{4}$ " though 1"	770

## Power Drive Inspection

### ▲ WARNING



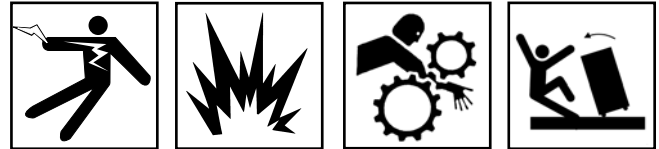
**To prevent serious injury, inspect your Power Drive. The following inspection procedures should be performed on a daily basis:**

1. Make sure Power Drive is unplugged.
2. Inspect the power cord and plug for damage. If the plug has been modified, is missing the grounding pin, or if the cord is damaged, do not use the Power Drive until the cord has been replaced.
3. Inspect the Power Drive for any broken, missing, misaligned or binding parts as well as any other conditions which may affect the safe and normal operation of the tool. If any of these conditions are present, do not use the Power Drive until the condition has been repaired.
4. Lubricate the Power Drive if necessary according to the Maintenance Instructions.
5. Use tools and accessories that are designed for your Power Drive and meet the needs of your application. The correct tools and accessories allow you to do the job successfully and safely. Accessories suitable for use with other equipment may be hazardous when used with this Power Drive.
6. Clean any oil, grease or dirt from all equipment handles and controls. This reduces the risk of injury due to a tool or control slipping from your grip.
7. Inspect the cutting edges of your dies. If necessary, have them replaced prior to using the Power Drive. Dull or damaged dies can lead to poor quality threads.
8. Clean metal shavings and other debris from the chip tray of the 418 Oiler. Check the level and quality of the thread cutting oil. Replace or add oil if necessary.

**NOTE!** Thread cutting oil lubricates and cools the threads during the threading operation. A dirty or poor grade cutting oil can result in poor thread quality and increased threading torque, and reduced die life.

## Tool and Work Area Set-Up

### ▲ WARNING



**To prevent serious injury, proper set-up of the Power Drive and work area is required. The following procedures should be followed to ensure proper set-up of the tool.**

1. Locate a work area that has the following:
  - Adequate lighting
  - No flammable liquids, vapors or dust that may ignite.
  - Grounded electrical outlet
  - Clear path to the electrical outlet that does not contain any sources of heat or oil, sharp edges or moving parts that may damage electrical cord.
  - Dry place for operator. Do not use the Power Drive while standing in water.
  - Level ground for trisland vise and pipe stands.
2. Clean up the work area prior to setting up any equipment. Always wipe up any oil that may have splashed or dripped from the oiler to prevent slips and falls.
3. Plug the Power Drive into the electrical outlet making sure to position the power cord along the clear path selected earlier. If the power cord does not reach the outlet, use an extension cord in good condition.

**▲ WARNING** To avoid electrical shock and electrical fires, never use an extension cord that is damaged or does not meet the following requirements:

- The cord has a three-prong plug similar to shown in Electrical Safety section.
- The cord is rated as “W” or “W-A” if being used outdoors.
- The cord has sufficient wire thickness (14 AWG below 25’/12 AWG 25’ - 50’). If the wire thickness is too small, the cord may overheat, melting the cord’s insulation or causing nearby objects to ignite.

**▲ WARNING** To reduce risk of electrical shock, keep all electrical connections dry and off the ground. Do not touch plug with wet hands.

4. Check the Power Drive to insure it is operating properly.
  - Depress the switch and make sure it controls the stopping of the Power Drive by releasing the switch.



- Depress and hold the switch. Inspect the moving parts for misalignment, binding, odd noises or any other unusual conditions that may affect the safe and normal operation of the tool. If such conditions are present, have the Power Drive serviced.
- Depress switch in the opposite direction. Check that the Power Drive rotates in the opposite direction.

## Operating Instructions For Threading With Drop Head Die Heads

**▲ WARNING**



**Do not wear gloves or loose clothing when operating Power Drive. Keep sleeves and jackets buttoned.**

**Do not use this Power Drive if the switch is broken. Always wear eye protection to protect eyes from dirt and other foreign objects.**

**When threading pipe one inch or larger, use the No. 775 Support Arm or other mechanical means to resist high handle force developed during threading.**

1. Push Die Heads or Adapters, spline end first, squarely into the Power Drive until the spring-loaded adapter pawls catch securely (Figure 3).

**NOTE!** Installation can be made into either side of the Power Drive.

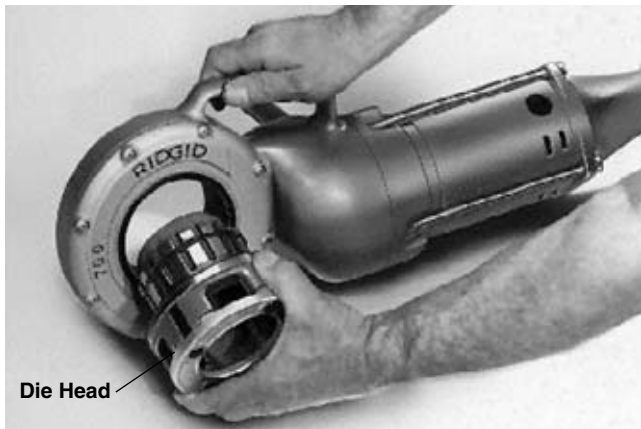


Figure 3 – Installing No. 12-R Drop Head Die Head

2. If possible, secure the pipe in a portable trisand vise or a bench vise.

**▲ WARNING** To prevent tipping, long lengths of pipe should also be supported with pipe stand.

3. Be sure the 418 Oiler is properly filled with RIDGID Thread Cutting Oil. Position the oiler in front of the vise (Figure 4).
4. Position No. 775 Support Arm on pipe so end of tang is in line with end of the pipe (Figures 4 & 5). Make sure jaws squarely contact pipe and tighten handle firmly to prevent the slipping of the jaws.

**▲ WARNING** To avoid serious injury from losing control of the Power Drive, a support arm should be used when threading one inch or larger pipe.

If the No. 775 Support Arm is not available or cannot be properly attached to the pipe, a pipe wrench may be used by securing the wrench to the pipe and contacting the Power Drive's auxiliary handle (Figure 6). Position wrench a sufficient distance from the Power Drive to allow for the desired length of thread to be cut.

When threading pipe less than one inch in size without a support arm, hold onto the Power Drive firmly with one hand to exert pressure against the handle forces developed during threading.

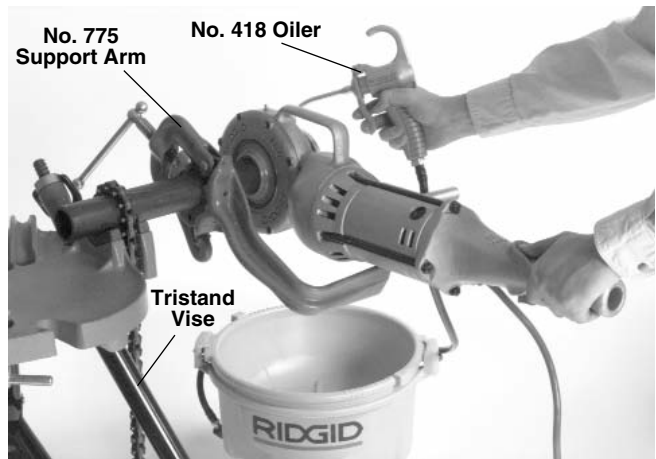
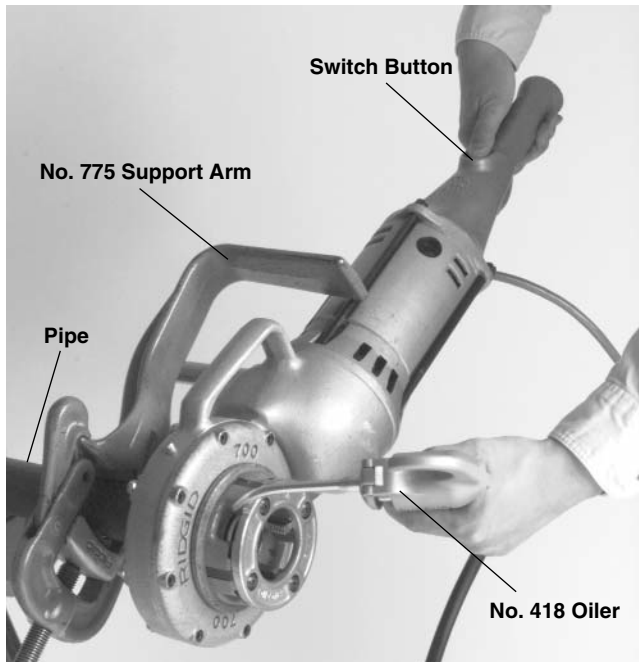


Figure 4 – Threading 2" Pipe With Power Drive Positioned On Left Side Of Vise





**Figure 5 – Threading 2" Pipe With Power Drive Positioned On Right Side Of Vise**



**Figure 6 – Threading Using Pipe Wrench As A Support Arm**

- Place Die Head over end of pipe.

**▲ WARNING** To avoid serious injury, make sure Power Drive is correctly positioned on support arm (*Figures 4, 5 & 6*). For right hand threads, Die Head will rotate clockwise (looking at the face of the Die Head). Forces developed by the threading torque will be in the opposite or counter-clockwise direction.

- Simultaneously actuate the switch button and exert pressure against the Die Head with the palm of free hand to make sure thread is started. Apply plenty of thread cutting oil to the dies during threading. This will

reduce the torque required to thread and improve the thread quality.

- Keep switch depressed until end of the pipe is even with edge of the dies and release the switch button.
- Back off the Die Head from the threaded pipe by actuating the switch button in the reverse direction.

**▲ WARNING** To avoid injury, hold onto the Power Drive handle firmly to resist handle forces developed while backing off the Die Head.

- When dies clear the end of the pipe, grip the handle on top of the Power Drive and remove the Power Drive and Die Head from the pipe.
- Remove the support arm from the pipe and the pipe from the vise.

**▲ WARNING** To avoid injury, make sure long sections of pipe are supported at the end farthest away from the vise prior to removal.

- Clean up any oil spills or splatter on the ground surrounding the vise and oiler.

## Accessories

**▲ WARNING** Only the following RIDGID products have been designed to function with the 700 Power Drive. Other accessories suitable for use with other tools may become hazardous when used on this Power Drive. To prevent serious injury, use only the accessories listed below.

### Accessories For Power Drive

Model No.	Description
770	Adapter for 00-R & 00-RB
771	Adapter for 0-R
772	Adapter for 11-R
773	Adapter for 111-R
774	Square Drive Adapter
775	Support Arm for No. 700 Power Drive
B-171-X	Metal Carrying Case for No. 700 & Accessories
418	Oiler w/1 Gal. Nu-Clear Thread Cutting Oil
—	Gearhead Motor Grease

**NOTE!** See Ridge Tool catalog for listing of pipe supports, vises and thread cutting oil.

### Threaders:

#### Drop Head Threaders

- 12-R
- 00-R
- 11-R
- 00-RB

Contact a RIDGID distributor or consult the Ridge Tool catalog for specifications and catalog numbers.

## Maintenance Instructions

### **▲ WARNING**

**Make sure Power Drive is unplugged from power source before performing maintenance or making any adjustments.**

### Motor Brush Replacement

Check motor brushes every 6 months and replace brushes when they are worn to less than 1/4".

### Lubrication

Grease face gear and bearings every 3 to 6 months depending upon the amount of use. Grease fitting is provided on the gear housing.

## Tool Storage

**▲ WARNING** Motor-driven equipment must be kept indoors or well covered in rainy weather. Store the Power Drive in a locked area that is out of reach of children and people unfamiliar with power drives. This power tool can cause serious injury in the hands of untrained users.

## Service and Repair

### **▲ WARNING**



Service and repair work on this Power Drive must be performed by qualified repair personnel. Tool should be taken to a RIDGID Independent Authorized Service Center or returned to the factory. All repairs made by Ridge Tool Co. service facilities are warranted against defects in material and workmanship.

**▲ WARNING** When servicing this Power Drive, only identical replacement parts should be used. Failure to follow these steps may create a risk of electrical shock or other serious injury.

If you have any questions regarding the service or repair of this machine, call or write to:

Ridge Tool Company  
Technical Service Department  
400 Clark Street  
Elyria, Ohio 44035-6001  
Tel: (800) 519-3456  
E-mail: [rttechservices@emerson.com](mailto:rttechservices@emerson.com)

For name and address of your nearest Independent Authorized Service Center, contact the Ridge Tool Company at (800) 519-3456 or <http://www.RIDGID.com>

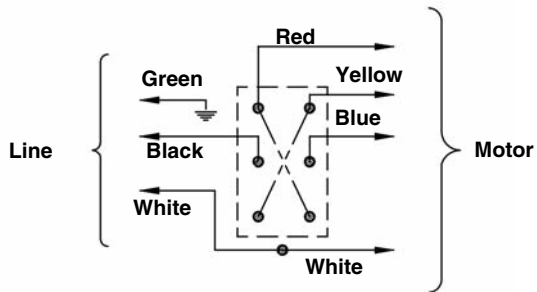
## Troubleshooting

**WARNING:** Always unplug power cord before servicing Power Drive.

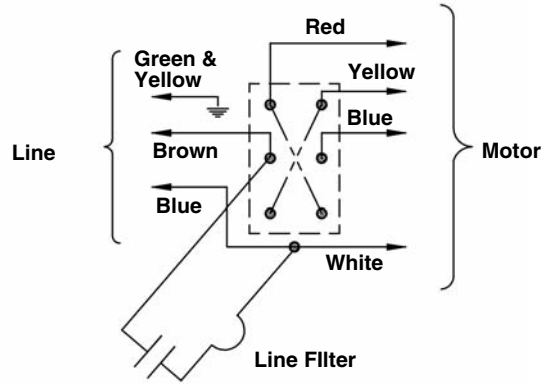
<b>PROBLEM</b>	<b>CAUSE</b>	<b>CORRECTION</b>
<b>Motor does not start.</b>	Power Drive unplugged. Fuse blown. Brushes do not touch armature.	Plug into power source. Install new fuse. Check brushes, replace if worn.
<b>Motor sounds overloaded.</b>	Overload because of dull dies. Bad quality or insufficient thread cutting oil.	Replace dies. Use RIDGID thread cutting oil in adequate quantity.
<b>Sparks forming at motor.</b>	Bad contact between brushes and brush holder. Brushes do not touch commutator properly. Brushes of different manufacture. Sharp edge on brush.	Tighten the screws, make sure brush is pressed firmly onto commutator. Replace worn brushes. Only use original brushes. Break edge.
<b>Die head does not start threading.</b>	Dull or broken dies. Machine running in wrong direction. Improperly set dies.	Replace dies. Check setting of the direction switch. Reset dies.
<b>Damaged Thread.</b>	Dull dies. Dies not assembled in correct sequence. Low quality pipe. Bad quality or insufficient thread cutting oil.	Replace dies. Put dies in correct sequence. Make sure only pipe of good quality is used. Use only RIDGID thread cutting oil in adequate quantity.
<b>Support arm turns while threading.</b>	Support arm feedscrew not tight. Support arm jaws dirty. Support arm not square on pipe.	Tighten feedscrew. Clean with wire brush. Make sure sits square on pipe.
<b>Die heads cannot be changed properly.</b>	Burr has occurred at the spline end of the die head.	Eliminate burr with file.

## Wiring Diagram (115/230V)

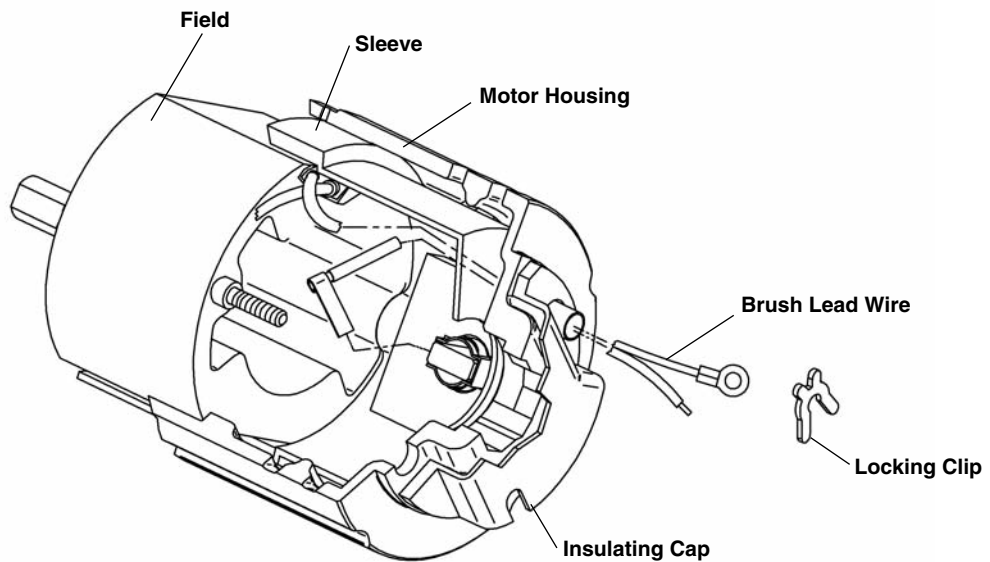
### Standard Color Code



### European Color Code (230V)



## Installation of Brush Lead Wires



700

# Systeme d'entraînement portatif n° 700



**RIDGID**<sup>®</sup>

## Systeme d'entraînement portatif n° 700

Notez ci-dessous le numéro de série inscrit sur la plaque signalétique pour future référence.

N° de  
Série

--	--

## Table des matières

<b>Fiche d'enregistrement du numéro d'identification et de série de l'appareil</b> .....	12
<b>Consignes générales de sécurité</b>	
Sécurité du chantier .....	13
Sécurité électrique .....	13
Sécurité individuelle .....	13
Utilisation et entretien de l'appareil .....	14
Service après-vente .....	14
<b>Consignes de sécurité particulières</b>	
Sécurité du système d'entraînement .....	14
<b>Description, spécifications et équipements de base</b>	
Description .....	15
Spécifications.....	15
Équipements de base .....	15
Accessoires.....	16
<b>Inspection du système d'entraînement</b> .....	16
<b>Préparation de l'appareil et du chantier</b> .....	17
<b>Le filetage avec têtes de filière amovibles</b> .....	17
<b>Accessoires</b> .....	19
<b>Entretien</b>	
Remplacement des balais du moteur .....	19
Lubrification.....	19
<b>Stockage de l'appareil</b> .....	20
<b>Service après-vente et réparations</b> .....	20
<b>Dépannage</b> .....	21
<b>Schéma électrique</b> .....	22
<b>Garantie à vie</b> .....	Page de garde



## Consignes générales de sécurité

**MISE EN GARDE !** Familiarisez-vous complètement avec l'ensemble des instructions. Le non-respect de ces consignes augmenterait les risques de choc électrique, d'incendie et/ou de graves blessures corporelles.

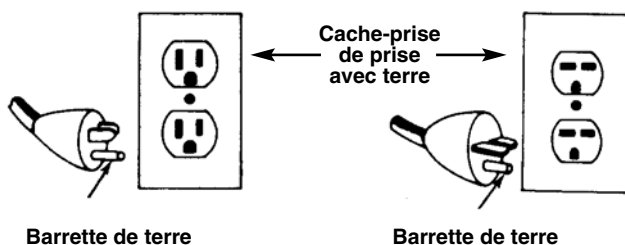
### CONSERVEZ CES INSTRUCTIONS !

#### Chantier

- **Maintenez le chantier propre et bien éclairé.** Les établis encombrés et le manque d'éclairage sont à l'origine de nombreux accidents.
- **N'utilisez pas d'appareils électriques en présence de combustibles tels que les liquides, gaz ou poussières inflammables.** Les appareils électriques produisent des étincelles capables d'enflammer les poussières et les émanations combustibles.
- **Eloignez les curieux, les enfants et les visiteurs lorsque vous utilisez un appareil électrique.** Les distractions éventuelles peuvent vous faire perdre le contrôle de l'appareil.
- **Maintenez les sols secs et dépourvus de matières glissantes (huile, etc.).** Les sols glissants sont une invitation aux accidents.

#### Sécurité électrique

- **Les appareils électriques avec terre doivent être branchés sur une prise avec terre appropriée et installée selon les normes en vigueur. Ne jamais tenter d'enlever la barrette de terre ou de modifier la fiche de manière quelconque. Ne pas utiliser d'adaptateurs de prise. En cas de doute concernant la bonne mise à la terre d'une prise électrique, consultez un électricien qualifié.** En cas de panne ou d'anomalie électrique, la mise à la terre assure un passage de faible résistance qui éloigne le courant électrique de l'utilisateur.



- **Évitez tout contact avec des surfaces reliées à la terre telles que tuyauteries, radiateurs, cuisinières ou réfrigérateurs.** Les risques de choc électrique augmentent lorsque votre corps est en contact avec une masse.

- **N'exposez pas les appareils électriques à la pluie ou aux intempéries.** Toute pénétration d'eau à l'intérieur d'un appareil électrique augmente les risques de choc électrique.
- **Ne maltraitez pas le cordon électrique de l'appareil. Ne jamais porter l'appareil par son cordon électrique, ni tirer sur celui-ci pour débrancher l'appareil. Gardez le cordon à l'abri des sources de chaleur, de l'huile, des angles tranchants et des pièces mobiles. Remplacez immédiatement tout cordon endommagé.** Les cordons endommagés augmentent les risques de choc électrique.
- **Lorsque vous utilisez l'appareil à l'extérieur, utilisez une rallonge électrique portant la désignation "W-A" ou "W".** Ce type de rallonge est prévu pour être utilisé à l'extérieur et réduit les risques de choc électrique.
- **N'utilisez que des rallonges électriques à trois fils, équipées de fiches et de prises avec terre compatibles avec la fiche de l'appareil.** L'utilisation d'autres types de rallonge électrique n'assurerait pas la mise à la terre de l'appareil et augmenterait les risques de choc électrique.
- **Utilisez la section de rallonge appropriée (voir tableau).** Une section de conducteurs insuffisante provoquerait une perte de tension excessive, un manque de puissance et la surchauffe de l'appareil.

Section minimale des fils conducteurs des rallonges			
Ampères indiqués sur la plaque signalétique	Longueur totale (en pieds)		
	0 à 25	26 à 50	51 à 100
0 à 6	18 AWG	16 AWG	16 AWG
6 à 10	18 AWG	16 AWG	14 AWG
10 à 12	16 AWG	16 AWG	14 AWG
12 à 16	14 AWG	12 AWG	Déconseillé

- **Gardez toutes connexions électriques au sec et surélevées. Ne touchez pas les connexions ou l'appareil avec les mains mouillées.** Cela réduira les risques de choc électrique.

#### Sécurité individuelle

- **Soyez attentif, concentrez-vous sur ce que vous faites et faites preuve de bon sens lorsque vous utilisez un appareil électrique. N'utilisez pas ce type d'appareil lorsque vous êtes fatigués ou lorsque vous prenez des médicaments, de l'alcool ou des produits pharmaceutiques.** Un instant d'inattention peut entraîner de graves blessures lorsque l'on utilise un appareil électrique.

- **Habillez-vous de manière appropriée. Ne portez pas de vêtements amples ou de bijoux. Attachez les cheveux longs. Gardez vos cheveux, vos vêtements et vos gants à l'écart du mécanisme.** Les vêtements amples, les bijoux et les cheveux longs peuvent s'entraver dans le mécanisme.
- **Évitez les risques de démarrage accidentel. Assurez-vous que l'interrupteur marche/arrêt est en position OFF (arrêt) avant de brancher l'appareil.** Le fait de porter l'appareil avec un doigt sur la gâchette ou le brancher lorsque son interrupteur est en position de marche (ON) est une invitation aux accidents.
- **Enlevez les clés de montage et de réglage avant mettre l'appareil en marche.** Une clé restée sur une partie rotative de l'appareil peut provoquer des accidents.
- **Ne vous mettez pas en porte-à-faux. Maintenez une bonne assise et un bon équilibre à tous moments.** Une bonne assise et un bon équilibre vous permettent de mieux contrôler l'appareil en cas d'imprévu.
- **Utilisez les équipements de protection individuelle prévus. Portez systématiquement des lunettes de sécurité.** Un masque à poussière, des chaussures de sécurité, le casque et/ou une protection auditive doivent être portés selon les conditions d'utilisation.

### Utilisation et entretien de l'appareil

- **Servez-vous de pinces ou d'autres moyens applicables pour arrimer la pièce à une surface stable.** Toute pièce tenue dans la main ou contre le corps est instable et risque de faire perdre le contrôle de l'appareil.
- **Ne forcez pas l'appareil. Prévoyez les outils adaptés au travail envisagé.** L'outil approprié assurera un meilleur travail et un maximum de sécurité lorsqu'il tourne au régime prévu.
- **N'utilisez pas l'appareil si sa gâchette ne permet pas de le mettre en marche ou de l'arrêter.** Tout appareil qui ne peut pas être contrôlé par sa gâchette est dangereux et doit être réparé.
- **Débranchez l'appareil avant tout réglage, remplacement d'accessoires ou stockage.** De telles mesures préventives réduisent les risques de démarrage accidentel de l'appareil.
- **Rangez les appareils non utilisés hors de la portée des enfants et des personnes non initiées.** Ces appareils sont dangereux entre les mains de personnes non initiées.

- **Maintenez les outils de coupe et autres accessoires en bon état.** Les outils bien entretenus sont moins susceptibles de provoquer des accidents.
- **Examinez l'appareil pour signes de mauvais alignement ou de grippage des mécanismes ou autres conditions qui pourraient entraver son fonctionnement. Le cas échéant, il sera nécessaire de faire réparer l'appareil avant de vous en servir.** De nombreux accidents sont le résultat d'un appareil mal entretenu.
- **N'utilisez que les accessoires recommandés par le fabricant pour votre type d'appareil particulier.** Des accessoires prévus pour un certain type d'appareil peuvent être dangereux lorsqu'ils sont montés sur un autre.
- **Gardez les poignées de l'appareil propres, sèches et dépourvues d'huile ou de graisse.** Cela vous permettra de mieux le contrôler.

### Service après-vente

- **L'entretien de l'appareil doit être systématiquement confié à un réparateur qualifié.** Toute intervention par du personnel non qualifié risque d'entraîner des blessures.
- **Lors de la réparation de l'appareil, utilisez exclusivement des pièces de rechange identiques à celles d'origine. Suivez les instructions de la section "Entretien" du mode d'emploi.** L'utilisation de pièces de rechange non homologuées et le non-respect des consignes d'entretien peut créer un risque de choc électrique ou de blessure corporelle.

## Consignes de sécurité particulières

### ▲ MISE EN GARDE !

**Familiarisez-vous avec ce mode d'emploi avant d'utiliser le système d'entraînement n° 700. Le non-respect des consignes qu'il contient pourrait s'accompagner de choc électrique, d'incendie et/ou de grave blessures corporelles.**

Veillez adresser toutes questions éventuelles aux services techniques de la Ridge Tool Company en composant le (800) 519-3456.

### Sécurité du système d'entraînement

- **Ce système est prévu pour l'entraînement des filières et autres types de matériel. Lors des travaux de filetage, respectez les consignes de ce manuel à la lettre. Lors de son utilisation en conjonction**

avec d'autres types de matériel, consultez et respectez les instructions fournies avec le matériel en question. Toute autre utilisation augmenterait les risques d'accident grave.

- **Lors du filetage des tuyaux de 1 pouce ou plus de diamètre, servez-vous de l'étrésillon n° 775 pour arrimer le système d'entraînement. A défaut de pouvoir utiliser l'étrésillon pour arrimer le système d'entraînement, prévoyez un autre moyen d'arrimage (clé à pipes, etc.).** L'arrimage permet d'immobiliser la poignée sous le couple développé et de maintenir le contrôle de l'appareil.
- **N'utilisez pas l'appareil si sa gâchette ne fonctionne pas.** Le but de la gâchette est d'assurer un meilleur contrôle en arrêtant moteur lorsque vous la lâchez.
- **Ne portez pas de gants ou de vêtements amples lors de l'utilisation du système d'entraînement. Boutonnez vos manches de chemise et vos blousons. Ne vous penchez pas sur le mécanisme du système ou sur la pièce.** Vos vêtements risquent de s'y embobiner et provoquer de graves blessures.
- **Lorsqu'il est utilisé en conjonction avec d'autres types de matériel, il sera peut-être nécessaire d'arrimer le système d'entraînement n° 700 afin de résister au couple produit au niveau de sa poignée.** Le couple produit au niveau de la poignée dépendra de l'application. Les couples élevés à cet endroit peuvent provoquer de graves blessures.
- **N'utilisez pas de filières émoussées ou endommagées.** Les filières affûtées nécessitent moins de couple, rendant ainsi le système d'entraînement plus facile à manipuler.

## Description, spécifications et équipements de base

### Description

Le système d'entraînement RIDGID n° 700 assure la force de rotation nécessaire au filetage des tuyaux, conduits et tiges (boulonnerie), entre autres applications. Son interrupteur REV/OFF/FOR (marche arrière/arrêt/marche avant) lui permet de tourner dans les deux sens.

Normalement, le système d'entraînement utilise les têtes de filière type 12R (pour tuyaux Ø 1/8 à 2 po.). Pour l'utilisation des autres têtes de filière amovibles RIDGID (00R, 00-RB, 11R) il sera nécessaire prévoir un adaptateur. Un système de lubrification manuelle, permettant l'inondation de la pièce en cours de filetage, est également disponible. L'étrésillon n° 775 doit être utilisé afin d'arrimer

le système d'entraînement face au couple élevé développé lors de l'utilisation des filières à tête amovible pour le filetage des tuyaux de 1 pouce ou plus.

Le système d'entraînement RIDGID n° 700 peut également servir à d'autres applications, telle que l'entraînement du coupe-tubes RIDGID n° 258 ou le rodage de soupapes. De telles applications nécessitent l'utilisation du carré d'adaptation n° 774.

### Spécifications et équipements de base

#### Capacité de filetage

Tuyaux et conduits .....Têtes de filière amovibles :  
 Ø 1/8 à 2 po ; tête de filière n°  
 00-RB : Ø 1/4 à 1 po.

Moteur :

Type .....Universel

Puissance.....0,5 CV

Tension d'alimentation ....115V.c.a. (25 à 60 Hz) mono-  
 phasé (230V sur demande)

Intensité.....13A

Interrupteur.....bipolaire, bidirectionnel  
 (inversible), retour à l'arrêt  
 automatique

Régime de  
 fonctionnement.....32 t/min (à vide)

Démultiplication .....engrenages cylindriques,  
 cliquets à ressort, fusée en  
 acier trempé

Bâti .....Carter d'engrenages, carter  
 moteur et poignée en fonte  
 d'aluminium.

Longueur .....28 1/4 po

Poids .....25 livres

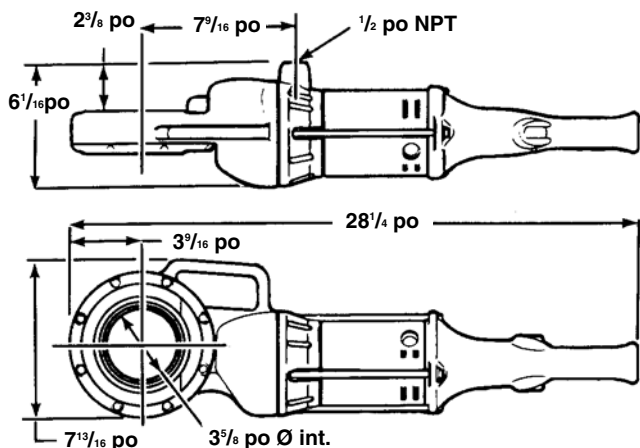


Figure 2 – Système d'entraînement n° 700

Réf. Catalogue	Modèle	Désignation	Poids	
			livres	kg
41935	700	115V/25 à 60 Hz	25	11
41940	700	230V/ 25 à 60 Hz	25	11

**Accessoires**

Têtes de filière

n° 12-R (9).....1/8, 1/4, 3/8, 1/2, 3/4, 1, 1 1/4, 1 1/2 et 2 po

Système de

lubrification n° 418.....Système de lubrification comprenant 1 gallon d'huile de coupe RIDGID Thread Cutting Oil

Etrésillon n° 775 .....Absorbe le couple élevé transmis à la poignée du système d'entraînement

Mallette de transport.....Pour système d'entraînement et têtes de filière

Etau à chaîne sur trépied n° 460

**Adaptateurs de têtes de filière amovibles**

Tête de filière n°	Capacité de tuyau/conduit	Adaptateur applicable
12-R	Ø 1/8 à 2 po	—
OO-R	Ø 1/8 à 1 po	770
O-R	Ø 1/8 à 1 po	771
11-R	Ø 1/8 à 1 1/4 po	772
111-R	Ø 1/8 à 1 1/4 po	773
OO-RB	Ø 1/4 à 1 po	770

**Inspection du système d'entraînement**

**▲ MISE EN GARDE !**



**Afin d'éviter les accidents graves, examinez le système d'entraînement quotidiennement selon le processus suivant :**

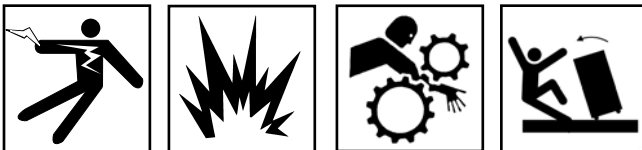
1. Vérifiez que le système d'entraînement est débranché.
2. Examinez le cordon d'alimentation et sa fiche pour signes de détérioration. Si la fiche a été modifiée, qu'il lui manque sa barrette de terre ou que le cordon est endommagé, ne vous servez pas système d'entraînement avant que le cordon d'alimentation ait été remplacé.
3. Examinez le système d'entraînement pour signes de pièces endommagées, manquantes, désalignées ou grippées, ainsi que pour toute autre anomalie qui pourrait nuire au bon fonctionnement et à la sécurité de l'appareil. Le cas échéant, n'utilisez pas le système d'entraînement tant que le problème n'a pas été corrigé.
4. Lubrifiez le système d'entraînement selon les consignes de la section " Entretien ".
5. Utilisez les outils et accessoires prévus pour ce type de système d'entraînement et qui répondent aux besoins du travail envisagé. Les outils et accessoires appropriés vous permettront d'effectuer le travail correctement et en toute sécurité. Les accessoires prévus pour d'autres types de matériel peuvent être dangereux lorsqu'ils sont utilisés en conjonction avec ce type de système d'entraînement.
6. Eliminez toutes traces d'huile, de graisse ou de crasse des poignées et des commandes de l'appareil. Cela réduira les risques de perte de contrôle de l'appareil, et donc d'accidents éventuels.
7. Examinez le tranchant des filières, et faites-les remplacer si nécessaire avant d'utiliser le système d'entraînement. Des filières émoussées ou endommagées peuvent nuire à la qualité du filetage.
8. Nettoyez régulièrement le tiroir à copeaux du système de lubrification n° 418 afin d'éliminer toutes traces de copeaux métalliques et autres débris accumulés.

Vérifiez le niveau et la qualité d'huile de coupe. Remplacez ou rajoutez l'huile nécessaire.

NOTA ! L'huile de coupe assure la lubrification et le refroidissement des filets en cours de filetage. Une huile sale ou de mauvaise qualité risque non seulement de produire des filets de mauvaise qualité, mais aussi d'augmenter le couple nécessaire au filetage et user les filières prématurément.

## Préparation de l'appareil et du chantier

### ▲ MISE EN GARDE !



**Il est essentiel de bien préparer à la fois le système d'entraînement et le chantier afin d'éviter de graves blessures. Les étapes de préparation suivantes doivent être systématiquement respectées.**

1. Installez le matériel dans un endroit assurant :
  - Un éclairage suffisant
  - L'absence de liquides, vapeurs ou poussières inflammables
  - Une prise de courant avec terre
  - Un passage dégagé entre l'appareil et la prise de courant, sans sources de chaleur, d'huile, de surfaces tranchantes ou de mécanismes qui pourraient endommager le cordon électrique.
  - Un endroit au sec pour l'utilisateur. N'utilisez pas le système d'entraînement lorsque vous avez les pieds dans l'eau.
  - Un sol de niveau où poser l'étau à trépied et les porte-pièce.
2. Nettoyez la zone de travail avant d'installer le matériel. En fin de chantier, essuyez toutes traces d'huile éventuelles afin d'éviter les risques de dérapage et de chute.
3. Branchez le cordon d'alimentation du système d'entraînement en faisant attention de lui faire suivre le passage dégagé précédemment établi. Si le cordon d'alimentation n'arrive pas jusqu'à la prise, servez-vous d'une rallonge électrique en bon état.

**▲ MISE EN GARDE** Afin d'éviter les chocs et incendies électriques, ne jamais utiliser une rallonge électrique endommagée ou qui ne répond pas aux critères suivants :

- Rallonge équipée d'une fiche à trois barrettes semblable à celle indiquée à la section "Sécurité électrique".
- Rallonge de type "W" ou "W-A" pour utilisation à l'extérieur.
- Rallonge d'une section suffisante (14 AWG à moins de 25 pieds ; 12 AWG de 25 à 50 pieds). Une section de conducteurs trop faible risque de provoquer sa surchauffe, la fonte de son isolant, et l'inflammation des objets à proximité.

**▲ MISE EN GARDE** Afin d'éviter les risques de choc électrique, maintenez les connexions électriques au sec et surélevées. Ne pas toucher les connexions avec les mains mouillées.

4. Vérifiez le bon fonctionnement du système d'entraînement.
  - Appuyez sur la gâchette afin de vous assurer qu'elle permet d'arrêter le système d'entraînement lorsque vous la lâchez.
  - Tenez la gâchette appuyée. Examinez le mécanisme pour signes de désalignement, grippage, bruits anormaux et toute autre anomalie qui pourrait nuire au bon fonctionnement et à la sécurité de l'appareil. Le cas échéant, faites-le réparer.
  - Appuyez sur la gâchette en sens inverse. Vérifiez que le système d'entraînement tourne bien à l'envers.

## Le filetage avec têtes de filière amovibles

### ▲ MISE EN GARDE !



**Ne portez ni gants, ni vêtements amples lors de l'utilisation de ce système d'entraînement. Boutonnez vos manches et votre blouson.**

**N'utilisez pas ce système d'entraînement si sa gâchette est endommagée. Portez systématiquement une protection oculaire afin de protéger vos yeux contre les projections de terre et autre débris.**

**Lors du filetage des tuyaux de 1 pouce de diamètre ou plus, utilisez l'étrésillon n° 775 ou autre moyen mécanique capable de résister au couple développé au niveau de la poignée lors du filetage.**



1. Enfoncez la tête de filière ou l'adaptateur fermement dans le système d'entraînement, cannelures en premier, jusqu'à ce que l'accouplement à cliquet s'engage complètement (Figure 3).

NOTA ! Les outils peuvent être introduits des deux côtés de l'appareil.



Figure 3 – Installation d'une tête de filière amovible n° 12-R

2. Si possible, tenez le tuyau dans un étau à trépied portatif ou dans un étau d'établi.

**▲ MISE EN GARDE** Les tuyaux de grande longueur doivent également être soutenus par un porte-tubes pour d'empêcher leur renversement.

3. Assurez-vous que le système de lubrification est bien rempli d'huile de coupe RIDGID. Positionnez le système de lubrification devant l'étau (Figure 4).
4. Positionnez l'étrésillon n° 775 sur le tuyau de manière à ce que son tenon se trouve à fleur de l'extrémité du tuyau (Figures 4 et 5). Assurez-vous que les mâchoires s'engagent bien d'équerre sur le tuyau, puis serrez la poignée à fond afin d'empêcher le dérapage des mâchoires.

**▲ MISE EN GARDE** Il convient d'utiliser un étrésillon lors du filetage de tous tuyaux d'un diamètre de 1 pouce ou plus afin d'éviter les risques d'accident grave en cas de perte de contrôle de l'appareil.

A défaut d'un étrésillon n° 775 ou de pouvoir l'adapter au tuyau, il est possible d'utiliser une clé à tubes en l'attachant au tuyau et en appuyant son manche contre la poignée auxiliaire du système d'entraînement (Figure 6). Positionnez la clé à une distance suffisante du système d'entraînement pour permettre la longueur de filetage voulu.

Lors du filetage des tuyaux d'un diamètre inférieur à un pouce sans l'aide d'un étrésillon, tenez le système d'entraînement fermement d'une main en appuyant sur sa poignée afin de compenser le couple produit durant le filetage.

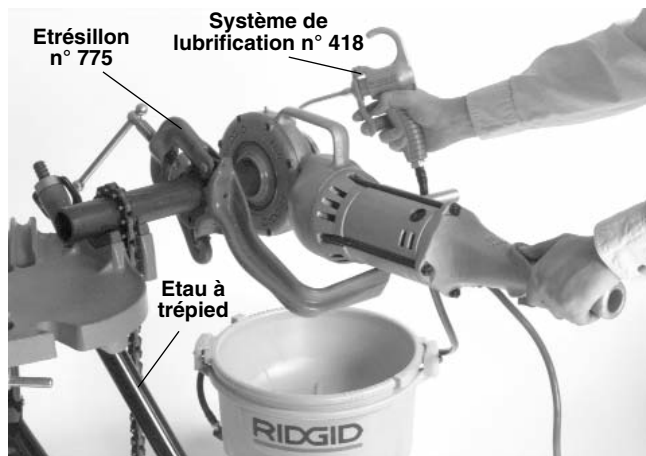


Figure 4 – Filetage d'un tuyau Ø 2 po avec le système d'entraînement positionné du côté gauche de l'étau

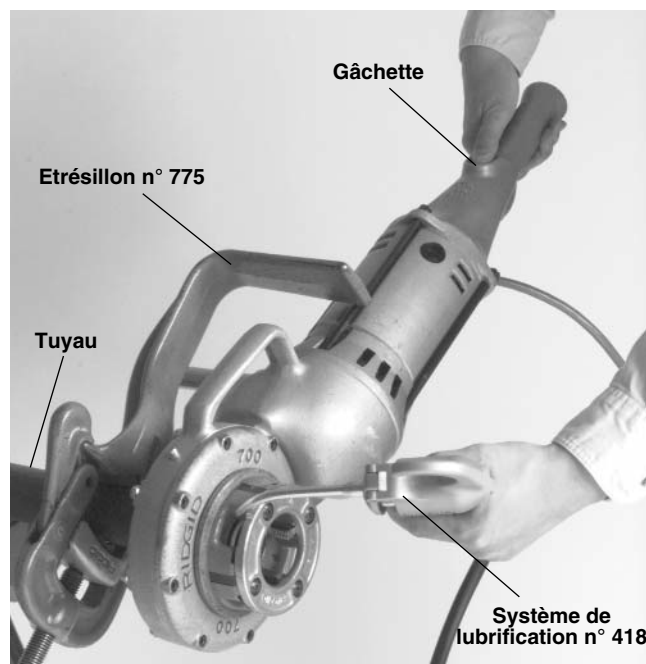


Figure 5 – Filetage d'un tuyau Ø 2 po avec le système d'entraînement positionné du côté droit de l'étau





Figure 6 – Filetage en utilisant une clé à tubes comme étrésillon

- Placez la tête de filière sur l'extrémité du tuyau.

**▲ MISE EN GARDE** Afin d'éviter de graves blessures, assurez-vous que le système d'entraînement est correctement positionné sur l'étrésillon (Figures 4, 5 et 6). Pour les pas à droite, la tête de filière tournera à droite (vue de face). Le couple développé lors de l'opération de filetage sera en sens inverse, voire à gauche.

- Appuyez simultanément sur la gâchette et, avec la paume de votre main libre, sur l'extrémité de la tête de filière pour entamer le filetage. Arrosez les filières copieusement d'huile de coupe durant toute l'opération. Cela réduira le couple nécessaire au filetage et assurera des filets de meilleure qualité.
- Appuyer sur la gâchette jusqu'à ce que le tuyau arrive à fleur du bord des filières, puis lâchez-la.
- Ramenez la tête de filière en appuyant sur la gâchette en sens inverse.

**▲ MISE EN GARDE** Pour raisons de sécurité, tenez la poignée du système d'entraînement fermement afin de compenser le couple développé lors du retrait des filières.

- Une fois les filières dégagées de l'extrémité du tuyau, prenez le système d'entraînement par sa poignée dorsale pour retirer le système d'entraînement et la tête de filière du tuyau.
- Enlevez l'étrésillon du tuyau, puis enlevez le tuyau de l'étau.

**▲ MISE EN GARDE** Pour raisons de sécurité, assurez-vous du soutien de l'extrémité opposée des tuyaux de grande longueur avant de les sortir de l'étau.

- Éliminez toutes traces ou éclaboussures d'huile au sol aux environs de l'étau et du système de lubrification.

## Accessoires

**▲ MISE EN GARDE** Seuls les produits RIDGID suivants ont été conçus pour fonctionner avec le système d'entraînement n° 700. L'utilisation d'accessoires prévus pour d'autres types d'appareil sur ce système d'entraînement peut s'avérer dangereuse. Pour raisons de sécurité, n'utilisez que les accessoires indiqués ci-dessous.

### Accessoires pour le système d'entraînement

Référence	Description
770	Adaptateur pour 00-R et 00-RB
771	Adaptateur pour 0-R
772	Adaptateur pour 11-R
773	Adaptateur pour 111-R
774	Adaptateur à carré
775	Etrésillon pour système d'entraînement n° 700
B-171-X	Mallette métallique pour n° 700 et accessoires
418	Système de lubrification comprenant 1 gallon d'huile de coupe Nu-Clear
—	Graisse d'engrenages

NOTA ! Consultez le catalogue Ridge Tool pour la liste des porte-tubes, étaux et huiles de coupe disponibles.

## Fileteuses

### Fileteuses amovibles

- 12-R
- 00-R
- 11-R
- 00-RB

Consultez un distributeur RIDGID ou le catalogue Ridge pour les spécifications et références correspondantes.

## Entretien

### ▲ MISE EN GARDE !

**N'oubliez pas de débrancher le système d'entraînement avant son entretien ou réglage.**

### Remplacement des balais du moteur

Examinez les balais du moteur tous les 6 mois, et remplacez-les dès qu'ils sont usés au-delà de 1/4 po d'épaisseur.

### Lubrification

Graissez la roue de champ et les paliers à intervalles de 3 à 6 mois selon l'intensité d'utilisation. Le carter d'engrenages est équipé d'un graisseur.

## Stockage de l'appareil

**▲ MISE EN GARDE** Tout matériel motorisé doit être stocké à l'intérieur ou bien protégé en cas de pluie. Rangez le système d'entraînement dans un local sous clé, hors de la portée des enfants et autres individus non accoutumés aux systèmes d'entraînement. Cet appareil électrique peut provoquer de graves blessures s'il tombe entre les mains d'un utilisateur sans formation adéquate.

## Service après-vente et réparations

### ▲ WARNING



Le service après-vente et la réparation de ce système d'entraînement doivent être confiés exclusivement à un réparateur qualifié. L'appareil doit être confié à un centre de réparation RIDGID agréé ou renvoyé à l'usine. Toutes réparations effectuées par les services Ridge sont garanties contre les vices de matériel et de main d'œuvre.

**▲ MISE EN GARDE** N'utilisez que des pièces de rechange identiques aux pièces d'origine lors de l'entretien de cet appareil. Le non-respect de cette consigne augmenterait les risques de choc électrique ou autres accidents graves.

Veillez adresser toutes questions éventuelles concernant l'entretien ou la réparation de cet appareil à :

Ridge Tool Company  
Technical Service Department  
400 Clark Street  
Elyria, Ohio 44035-6001  
Tél. : (800) 519-3456  
Mail: rtctechservices@emerson.com

Pour obtenir les coordonnées du centre de service agréé le plus proche, veuillez contacter la Ridge Tool Company au (800) 519-3456 ou via le site <http://www.RIDGID.com>

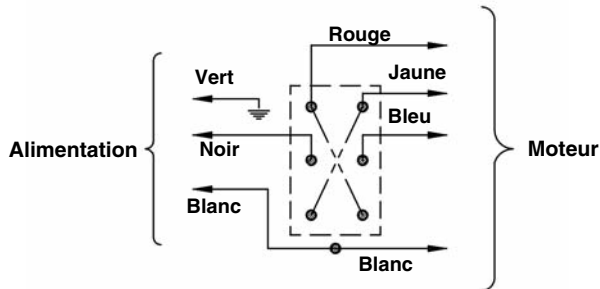
## Dépannage

**MISE EN GARDE ! Débranchez systématiquement le système d'entraînement avant toute intervention.**

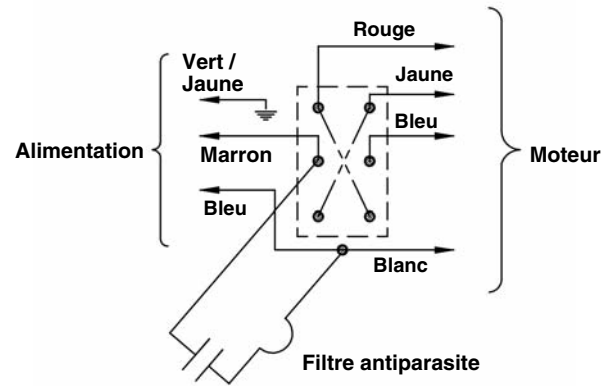
<b>PROBLEME</b>	<b>RAISONS POSSIBLES</b>	<b>SOLUTION</b>
<b>Le moteur ne démarre pas</b>	Le système d'entraînement est débranché Un fusible a sauté Les balais ne contactent pas l'armature	Branchez l'appareil Remplacez le fusible Examinez les balais, remplacez-les au besoin
<b>Le moteur semble être en surcharge</b>	Surcharge due à des filières émoussées Mauvaise qualité ou insuffisance d'huile de coupe	Remplacez les filières Utilisez une quantité suffisante d'huile de coupe RIDGID
<b>Le moteur émet des étincelles</b>	Mauvais contact entre les balais et le porte-balais Mauvais contact entre les balais et le commutateur Balais de fabrication différente Formation d'une arrête sur le bord des balais	Serrez les vis, assurez que les balais s'appuient suffisamment contre le commutateur Remplacez les balais usés N'utilisez que des balais d'origine Cassez l'arrête
<b>La tête de filière n'entame pas de filetage</b>	Filières émoussées ou endommagées La machine tourne dans le mauvais sens Filières mal installées	Remplacez les filières Vérifiez le réglage du commutateur directionnel Réinstallez les filières
<b>Le filetage est endommagé</b>	Filières émoussées Mauvaise séquence d'installation des filières Mauvaise qualité de tuyau Mauvaise qualité ou insuffisance d'huile de coupe	Remplacez les filières Mettez les filières dans la séquence appropriée N'utilisez que des tuyaux de bonne qualité Utilisez exclusivement de l'huile de coupe RIDGID en quantité suffisante
<b>L'étrésillon tourne en cours de filetage</b>	Vis d'avance de l'étrésillon desserrée Mâchoires de l'étrésillon encrassées Etrésillon non d'équerre avec le tuyau	Serrez la vis d'avance Nettoyez-les avec une brosse métallique Vérifiez qu'il est d'équerre par rapport au tuyau
<b>Les têtes de filière ne peuvent pas être remplacées correctement</b>	Développement d'une bavure au niveau des cannelures de la tête de filière	Limez les bavures

## Schéma électrique (115V/230V)

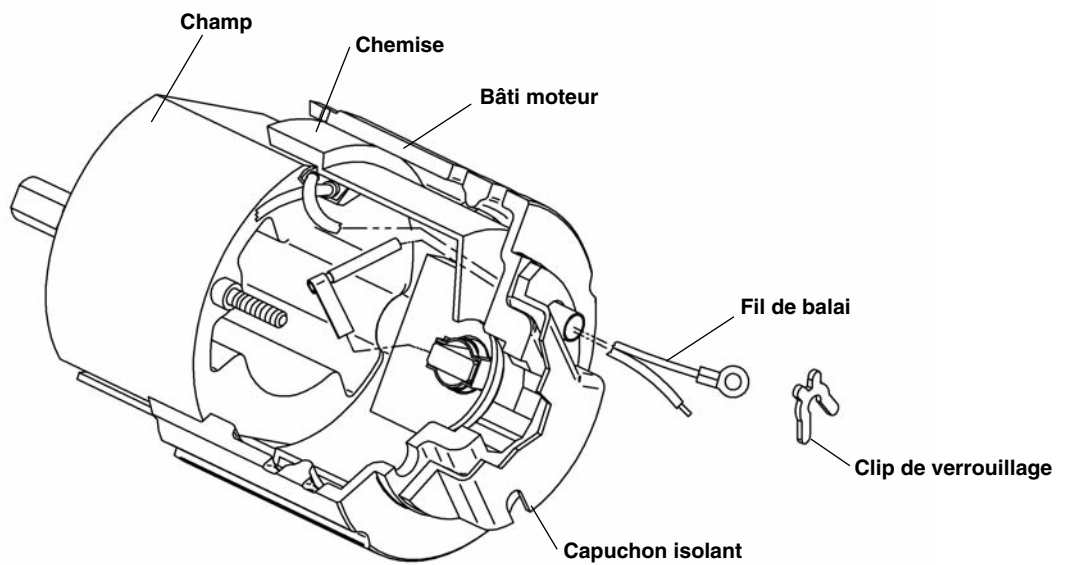
### Code couleur standard



### Code couleur européen (230V)



## Installation des fils de balais moteur



700

# Accionamiento Motorizado portátil No. 700



**RIDGID**<sup>®</sup>

## Accionamiento Motorizado portátil No. 700

A continuación apunte y retenga el número de serie de la máquina que se encuentra en su placa de características.

No. de serie

--

# Índice

<b>Formulario para apuntar el Modelo del aparato y su Número de Serie .....</b>	<b>24</b>
<b>Reglas de seguridad general</b>	
Zona de trabajo .....	25
Seguridad eléctrica .....	25
Seguridad personal .....	25
Uso y cuidado del aparato .....	26
Servicio .....	26
<b>Información específica de seguridad</b>	
Seguridad del Accionamiento .....	27
<b>Descripción, especificaciones y equipo estándar</b>	
Descripción .....	27
Especificaciones .....	27
Equipo estándar .....	27
Accesorios .....	28
<b>Inspección del Accionamiento Motorizado .....</b>	<b>28</b>
<b>Preparación del aparato y de la zona de trabajo .....</b>	<b>29</b>
<b>Instrucciones de funcionamiento para roscar con cabezales de terrajas de cabeza abatible .....</b>	<b>29</b>
<b>Accesorios .....</b>	<b>31</b>
<b>Instrucciones para el mantenimiento</b>	
Recambio de las escobillas del motor .....	32
Lubricación .....	32
<b>Almacenamiento de la máquina .....</b>	<b>32</b>
<b>Servicio y reparaciones .....</b>	<b>32</b>
<b>Detección de averías .....</b>	<b>33</b>
<b>Diagrama de cableado .....</b>	<b>34</b>
<b>Garantía vitalicia .....</b>	<b>carátula posterior</b>



## Reglas de seguridad general

**¡ADVERTENCIA!** Lea y comprenda todas las instrucciones. Pueden ocurrir golpes eléctricos, incendios y/o lesiones corporales graves si no se siguen todas las instrucciones detalladas a continuación.

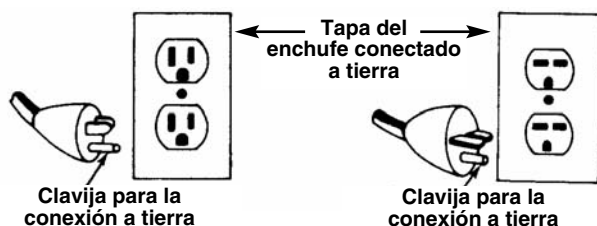
### **¡GUARDE ESTAS INSTRUCCIONES!**

#### Zona de trabajo

- **Mantenga su área de trabajo limpia y bien iluminada.** Los bancos de trabajo desordenados y las zonas oscuras provocan accidentes.
- **No haga funcionar aparatos motorizados en atmósferas explosivas, es decir, en presencia de líquidos, gases o polvos inflamables.** Las herramientas motorizadas generan chispas que pueden encender el polvo o los gases.
- **Al hacer funcionar un aparato motorizado, mantenga apartados a espectadores, niños y visitantes.** Las distracciones pueden hacerle perder el control del aparato.
- **Mantenga el piso seco y libre de materiales resbaladizos como el aceite.** Los suelos resbalosos provocan accidentes.

#### Seguridad eléctrica

- **Las máquinas provistas de una conexión a tierra deben ser enchufadas a un tomacorriente debidamente instalado y conectado a tierra de acuerdo con todos los códigos y reglamentos locales. Jamás extraiga la tercera clavija del enchufe, la que lo conecta a tierra, ni lo modifique de manera alguna. No use ningún tipo de enchufe adaptador. Si tiene duda acerca de la conexión a tierra del enchufe, consulte a un electricista calificado.** Si el aparato llega a sufrir una avería eléctrica o de otro tipo, la conexión a tierra proporciona una vía de baja resistencia para conducir la electricidad lejos del usuario.



- **Evite el contacto con artefactos conectados a tierra tales como cañerías, radiadores, estufas o cocinas y refrigeradores.** Aumenta el riesgo de que se produzca un choque eléctrico cuando su cuerpo ofrece conducción a tierra.

- **No exponga las herramientas eléctricas a la lluvia o a condiciones mojadas.** Si agua penetra en una herramienta a motor, aumenta el riesgo de que se produzca un golpe eléctrico.
- **No maltrate el cordón eléctrico del aparato. Nunca transporte el aparato tomándolo de su cordón eléctrico ni lo jale para desenchufarlo del tomacorriente. Mantenga el cordón lejos del calor, aceite, bordes cortantes o piezas móviles. Recambie un cordón dañado inmediatamente.** Un cordón en mal estado aumenta el riesgo de que se produzca un choque eléctrico.
- **Al hacer funcionar una herramienta a motor a la intemperie, emplee un cordón de extensión fabricado para uso exterior y rotulado “W-A” o “W”.** Estos cordones han sido diseñados para su empleo al aire libre y reducen el riesgo de que se produzca un choque eléctrico.
- **Use solamente un cordón de extensión de tres alambres equipado con un enchufe de tres clavijas para conexión a tierra, y un tomacorriente de tres polos que acoja a las tres clavijas del enchufe de la máquina.** Otros alargadores no conectarán la herramienta a tierra y aumentarán el riesgo de que se produzca un choque eléctrico.
- **Use cordones de extensión apropiados.** (Vea la tabla). Una dimensión insuficiente del conductor causará una caída excesiva del voltaje y una pérdida de potencia.

Dimensión mínima de alambre para cordones de extensión			
Amperios en la placa de características	Longitud total (en pies)		
	0-25	26-50	51-100
0-6	18 AWG	16 AWG	16 AWG
6-10	18 AWG	16 AWG	14 AWG
10-12	16 AWG	16 AWG	14 AWG
12-16	14 AWG	12 AWG	NO SE RECOMIENDA

- **Mantenga todas las conexiones eléctricas secas y levantadas del suelo. No toque los enchufes o el aparato con las manos mojadas.** De esta manera se reducen los riesgos de un choque eléctrico.

#### Seguridad personal

- **Manténgase alerta, preste atención a lo que está haciendo y use sentido común cuando trabaje con un aparato motorizado. No lo use si está cansado o se encuentra bajo la influencia de drogas, alcohol o medicamentos.** Sólo un breve descuido mientras hace funcionar un aparato a motor puede resultar en lesiones personales graves.

- **Vístase adecuadamente. No lleve ropa suelta ni joyas. Amarre una cabellera larga. Mantenga su cabello, ropa y guantes apartados de las piezas en movimiento.** La ropa suelta, las joyas o el pelo largo pueden engancharse en las piezas móviles.
- **Evite echar a andar la máquina sin querer. Antes de enchufarla, asegure que el interruptor se encuentre en la posición OFF (apagado).** Transportar el aparato con el dedo en el interruptor o enchufarlo cuando tiene el interruptor en la posición de encendido (ON) provoca accidentes.
- **Antes de colocar el interruptor en la posición de ON (encendido) extraiga todas las llaves de ajuste.** Una llave mecánica o una llave que se ha dejado acoplada a una pieza giratoria de la máquina puede ocasionar lesiones personales.
- **No trate de extender su cuerpo para alcanzar algo alrededor de la máquina. Mantenga sus pies firmes en tierra y un buen equilibrio en todo momento.** Al mantener el equilibrio y los pies firmes, ejercerá mejor control sobre la máquina en situaciones inesperadas.
- **Use equipo de seguridad. Siempre lleve protección para la vista.** Cuando las condiciones lo requieran, debe usar mascarilla para el polvo, calzado de seguridad antideslizante, casco duro o protección para los oídos.

## Uso y cuidado de la máquina

- **Emplee una abrazaderas u otro medio práctico para sujetar la pieza de trabajo a una plataforma estable.** Mantener la pieza de trabajo en el aire o contra su cuerpo es poco firme y puede hacerlo perder el control del aparato.
- **No fuerce el aparato. Use la herramienta correcta para la tarea que desea realizar.** La herramienta adecuada hará un trabajo mejor y seguro, a la velocidad para la cual fue diseñada.
- **No use el aparato si su interruptor de ENCENDIDO/APAGADO (ON/OFF) no funciona.** Cualquier aparato que no pueda ser controlado mediante su interruptor es peligroso y debe ser reparado.
- **Antes de efectuar trabajos de regulación, de cambiar accesorios o de almacenar el aparato, desconecte el enchufe de la fuente de corriente eléctrica.** Este tipo de seguridad preventiva reduce el riesgo de poner la máquina en marcha involuntariamente.
- **Almacene los aparatos que no estén en uso fuera del alcance de los niños y de otras personas sin**

**entrenamiento.** Las herramientas son peligrosas en las manos de usuarios no capacitados

- **Hágale cuidadoso mantenimiento a sus herramientas. Las herramientas de corte deben estar siempre afiladas y limpias.** Las herramientas de corte bien mantenidas tienen menos probabilidades de trabarse y se controlan con mayor facilidad.
- **Verifique si las piezas móviles están desalineadas o agarrotadas, si hay piezas quebradas y si existe cualquiera otra condición que pueda afectar el funcionamiento de la máquina. En el caso de estar dañada, antes de usar la máquina, hágala componer.** Numerosos accidentes son causados por máquinas que no han recibido un mantenimiento adecuado.
- **Solamente use accesorios recomendados para su modelo.** Los accesorios que son los adecuados para una máquina pueden ser peligrosos acoplados a otra máquina.
- **Mantenga los mangos limpios y secos, libres de aceite y grasa.** Esto permite un mejor control de la máquina.

## Servicio

- **Los trabajos de servicio a la máquina sólo deben ser efectuados por personal de reparación calificado.** El servicio o mantenimiento practicado por personal no calificado para efectuar reparaciones aumenta el riesgo de que ocurran lesiones.
- **Cuando le haga mantenimiento a una máquina, debe usar únicamente repuestos o piezas de recambio idénticas. Siga las instrucciones en la Sección de Mantenimiento de este manual.** Pueden producirse choques eléctricos o lesiones personales si no se emplean piezas y partes autorizadas o si no se siguen las instrucciones de mantenimiento.

## Información específica de seguridad

### ▲ ADVERTENCIA

**Antes de poner en marcha el Accionamiento Motorizado No. 700, lea este manual del operario con detenimiento. Pueden producirse choques eléctricos, incendios y/o graves lesiones personales si no se comprenden y respetan todas las instrucciones de este manual.**

Si tiene cualquier pregunta, llame al Departamento de Servicio Técnico de Ridge Tool Company al (800) 519-3456.

## Seguridad del Accionamiento Motorizado

- **Este Accionamiento o Moto-propulsor ha sido diseñado para propulsar roscadoras u otros equipos. Si lo empleará en labores de roscado, siga las instrucciones de este manual. Si lo usará para impulsar otros aparatos, lea y siga las instrucciones que vienen con cada equipo en particular.** Aumenta el riesgo de que se produzcan lesiones graves si se somete este Accionamiento a otros usos.
- **Cuando rosque tubos de una o más pulgadas, sujete firmemente el Accionamiento Motorizado con un Brazo de Soporte No. 775. Si no es posible asegurarlo con un Brazo de Soporte, emplee otro dispositivo mecánico como una llave de tubo.** Así se opone resistencia a las fuertes vibraciones y no se pierde el control del aparato.
- **Jamás use el Accionamiento si su interruptor está dañado.** El interruptor de encendido/apagado le permite controlar el aparato porque con sólo soltar su dedo se detiene el motor.
- **No lleve guantes ni ropa suelta cuando haga funcionar la máquina. Mantenga sus mangas y chaqueta abotonadas. No extienda su cuerpo sobre la máquina ni sobre la pieza de trabajo que gira.** La ropa se le puede enganchar en la máquina y causar graves lesiones personales.
- **Cuando el Accionamiento 700 se emplee para propulsar otros equipos que no sean roscadoras, el Accionamiento tendrá que afirmarse para resistir las fuerzas que se generan sobre los mangos.** La intensidad de las fuerzas varía según los usos o equipos empleados. Las violentas vibraciones pueden causar lesiones graves.
- **No emplee terrajas desafiladas o dañadas.** Las terrajas afiladas requieren menos par de torsión y facilitan el control del Accionamiento.

## Descripción, especificaciones y equipo estándar

### Descripción

El Accionamiento Motorizado No. 700 de RIDGID entrega movimiento rotatorio para roscar tubos, conductos, varillas (vástagos de pernos) u otros. Con el interruptor de FOR/OFF/REV (adelante/apagado/reversa) puede seleccionarse un giro a la derecha o a la izquierda.

El Accionamiento Motorizado está diseñado para usarse con Cabezales de Terrajas No. 12R (tubos de 1/8 a 2 pulgadas). Otros cabezales de terrajas RIDGID (00R, 00-

RB, 11R) exigen el uso de adaptadores. Hay disponible un sistema de lubricación manual que moja la pieza de trabajo con aceite para cortar roscas durante las operaciones de roscado. Debe emplearse el Brazo de Soporte No. 775 para sujetar el Accionamiento Motorizado y resistir las intensas vibraciones que se generan cuando se roscan tubos de una o más pulgadas con cabezales de terrajas de cabeza abatible.

Asimismo, el Accionamiento Motorizado No. 700 de RIDGID puede emplearse como fuente impulsora de otros equipos tales como el Cortatubos RIDGID No. 258 y para girar válvulas. Estas tareas requieren el uso de un Adaptador de Accionamiento Cuadrado No.774.

## Especificaciones y equipo estándar

### Capacidad de roscado

Tubos y conductos .....	Cabezales de Terrajas de cabeza abatible: 1/8 a 2 pulgadas; Cabezal de terrajas No. 00-RB: 1/4 a 1 pulgada
Motor:	
Tipo .....	universal
Fuerza .....	1/2 HP
Voltaje .....	115V CA monofásica, 25-60 Hz (230V disponible a pedido)
Amperaje .....	13 amps (36 rpm) 18 amps (57 rpm)
Interruptor .....	bipolar, bi-direccional (reversible), de retorno mediante resorte a la posición central de OFF (apagado)
Velocidad de funcionamiento	32 rpm (sin carga)
Cabezal de engranajes.....	reducción de velocidad mediante rueda de engranajes. Lengüetas del adaptador funcionan a resorte. Eje de engranajes fabricado de hierro endurecido
Cuerpo.....	caja de engranajes, alojamiento del motor y mango fabricados de aluminio fundido
Longitud.....	28 1/4 pulgadas
Peso .....	25 libras

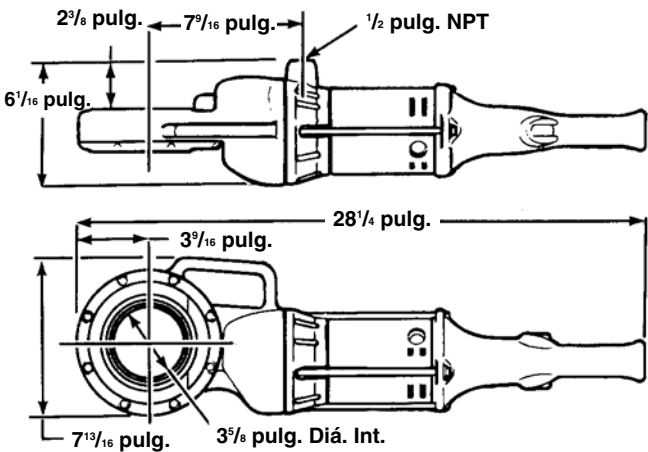


Figura 2 – Accionamiento Motorizado No. 700

No. en el catálogo	Modelo No.	Descripción	Peso	
			lb.	kg.
41935	700	115V, 25-60 HZ	25	11
41940	700	230V, 25-60 HZ	25	11

**Accesorios**

Nueve (9) Cabezales de terrajas No. 12-R.....<sup>1</sup>/<sub>8</sub>, <sup>1</sup>/<sub>4</sub>, <sup>3</sup>/<sub>8</sub>, <sup>1</sup>/<sub>2</sub>, <sup>3</sup>/<sub>4</sub>, 1, 1<sup>1</sup>/<sub>4</sub>, 1<sup>1</sup>/<sub>2</sub> y 2 pulgadas

Aceitera No. 418.....contiene un galón de Aceite para Cortar Roscas RIDGID

Brazo de Soporte No. 775.....amortigua las vibraciones del mango del Accionamiento

Maletín .....para transportar el Accionamiento Motorizado y los Cabezales de terrajas

Prensa de tornillo con cadena y trípode No. 460

**Adaptadores para Cabezales de terrajas de cabeza abatible**

Cabezal de terrajas Modelo No.	Diámetros de tubos o conductos	Emplee Adaptador No.
12-R	<sup>1</sup> / <sub>8</sub> a 2 pulgs.	—
OO-R	<sup>1</sup> / <sub>8</sub> a 1 pulg.	770
O-R	<sup>1</sup> / <sub>8</sub> a 1 pulg.	771
11-R	<sup>1</sup> / <sub>8</sub> a 1 <sup>1</sup> / <sub>4</sub> pulg.	772
111-R	<sup>1</sup> / <sub>8</sub> a 1 <sup>1</sup> / <sub>4</sub> pulg.	773

OO-RB	<sup>1</sup> / <sub>4</sub> a 1 pulg.	770
-------	---------------------------------------	-----

**Inspección del Accionamiento Motorizado**

**▲ ADVERTENCIA**



**Se requiere revisar el Accionamiento Motorizado correctamente para evitar lesiones de gravedad. Los siguientes procedimientos de inspección deben realizarse a diario:**

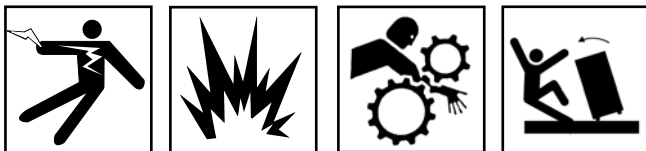
1. Asegure que el Accionamiento Motorizado esté desenchufado.
2. Inspeccione el cordón eléctrico y el enchufe para comprobar que están en buen estado. Si el enchufe ha sido modificado, no tiene su clavija de conexión a tierra, o si el cordón está dañado, no use el Accionamiento Motorizado hasta que el cordón haya sido cambiado.
3. Revise el Accionamiento Motorizado para asegurar que no tiene partes quebradas, desalineadas o agarratadas, o por si existe cualquiera otra condición que pueda afectar el funcionamiento normal y seguro de la máquina. Si detecta cualquier defecto, no use el Accionamiento Motorizado hasta que no haya sido reparado.
4. Lubrique el Accionamiento Motorizado si es necesario, de acuerdo con las Instrucciones de Mantenimiento.
5. Emplee las herramientas y accesorios específicamente indicados para su Accionamiento Motorizado y para el trabajo requerido. Las herramientas y accesorios correctos le permitirán efectuar un trabajo satisfactorio y seguro. Los accesorios diseñados para usarse con otros equipos pueden resultar peligrosos si se usan con este Accionamiento Motorizado.
6. Limpie el aceite, grasa o mugre de todos los mangos y controles. Así no se resbalan las herramientas o mangos de sus manos y disminuye el riesgo de que ocurran lesiones.
7. Revise los filos de corte de las terrajas. Si es necesario, recámbielas antes de usar el Accionamiento Motorizado. Las terrajas desafiladas o defectuosas cortan roscas de baja calidad.
8. Limpie las virutas y otros desechos de la bandeja de virutas en la Aceitera No. 418. Revise el nivel y el

estado del aceite para cortar roscas. Cambie o agregue aceite, si es necesario.

¡NOTA! El aceite para cortar roscas lubrica y enfría las roscas durante la operación de roscado. El aceite sucio o de baja calidad puede producir roscas deficientes, un par de torsión excesivo y un desgaste prematuro de las terrajas.

## Preparación de la máquina y de la zona de trabajo

### ▲ ADVERTENCIA



**Se requiere una adecuada preparación del Accionamiento Motorizado y de la zona de trabajo para evitar que ocurran lesiones de gravedad. Deben seguirse los siguientes procedimientos para la instalación segura de la máquina:**

1. Elija una zona de trabajo donde:
  - haya suficiente luz,
  - no estén presentes líquidos, vapores o polvos que puedan prender fuego,
  - exista un tomacorriente conectado a tierra,
  - haya una senda directa hasta el tomacorriente eléctrico, libre de fuentes de calor, aceites, bordes afilados o cortantes, o piezas móviles que puedan dañar al cordón eléctrico,
  - haya un lugar seco para situar la máquina y al operador. No use el Accionamiento si estará parado sobre agua,
  - el suelo esté nivelado para instalar el trípode de la prensa de tornillo o los sujetatubos.
2. Limpie la zona de trabajo antes de montar cualquier equipo. Siempre limpie todo aceite que pueda haber salpicado o goteado de la máquina para impedir que alguien se resbale o caiga.
3. Enchufe el Accionamiento Motorizado en el tomacorriente y asegure de extender el cordón por la senda despejada elegida con anterioridad. Si el cordón eléctrico no alcanza a la salida de corriente, use un cordón de extensión que se encuentre en buenas condiciones.

**▲ ADVERTENCIA** Para evitar choques e incendios eléctricos, nunca use un cordón de extensión dañado o que no cumpla con los siguientes requisitos:

- tener un enchufe de tres clavijas similar al que se muestra en la sección Seguridad Eléctrica.
- estar clasificado como “W” ó “W-A”, si será usado a la intemperie.
- tener el grosor suficiente (14 AWG si mide 25 pies de largo o menos, 12 AWG si mide entre 25 y 50 pies). Si el grosor del cable es insuficiente, el cordón puede recalentarse y derretirse su material aislante, o prender fuego a objetos cercanos.

**▲ ADVERTENCIA** Para reducir el riesgo de ocasionar choques eléctricos, mantenga todas las conexiones eléctricas secas y levantadas del suelo. No toque el enchufe con las manos mojadas.

4. Revise el Accionamiento Motorizado para asegurar que funciona correctamente.
  - Oprima el interruptor para asegurar que al soltarlo el Accionamiento se detiene.
  - Oprima y mantenga el interruptor oprimido. Revise las partes móviles por si están desalineadas o atascadas o por si emiten ruidos extraños, y asegure que no existan otras condiciones inusuales que afecten el normal y seguro funcionamiento de la máquina. Si detecta alguna anomalía, lleve el motor a componer.
  - Oprima el interruptor en dirección opuesta. Cerciórese de que el Accionamiento gira en el otro sentido.

## Instrucciones de funcionamiento para roscar con Cabezales de Terrajas de cabeza abatible

### ▲ ADVERTENCIA



**No use guantes o ropa suelta cuando haga funcionar este Accionamiento Motorizado. Mantenga las mangas y chaquetas abotonadas.**

**No use este Accionamiento Motorizado si su interruptor está dañado. Siempre lleve protección para los ojos para que no les entren mugre u objetos extraños.**

**Cuando rosque tubos de una pulgada o mayores, emplee el Brazo de Soporte No. 775 u otro medio mecánico para resistir las vibraciones que se generan durante el roscado.**



1. Introduzca el Cabezal de Terrajas o el Adaptador, con su extremo con muesca primero, dentro del Accionamiento Motorizado de tal manera que las lengüetas a resorte del adaptador se enganchen firmemente (Figura 3).

¡NOTA! La instalación puede hacerse por cualquiera de los dos lados del Accionamiento Motorizado.



Figura 3 – Instalación del Cabezal de terrajas No. 12-R

2. Si es posible, sujete el tubo en una prensa de tornillo portátil con trípode o en un tornillo de banco.

**⚠ ADVERTENCIA** Para que no se vuelque el equipo, los tubos largos deben sujetarse, asimismo, con sujetatubos.

3. Asegure que la Aceitera 418 esté llena de Aceite para Roscar RIDGID. Coloque la aceitera delante de la prensa de tornillo (Figura 4).
4. Coloque el Brazo de Soporte No. 775 en el tubo de tal modo que el extremo de la espiga quede alineado con el extremo del tubo (Figuras 4 y 5). Asegure que las mordazas queden en contacto directo con el tubo y apriete el mango firmemente para que las mordazas no resbalen.

**⚠ ADVERTENCIA** Para evitar lesiones al perder control sobre el Accionamiento Motorizado, se debe usar un brazo de soporte cuando se rosquen tubos de más de una pulgada.

Si no se cuenta con un Brazo de Soporte No. 775, o éste no puede acoplarse al tubo como es debido, se recomienda a cambio emplear una llave de tubo. Se asegura la llave al tubo y se la afirma contra el mango auxiliar del Accionamiento (Figura 6). Coloque la llave lo suficientemente lejos del Accionamiento para que no interfiera con el corte de la rosca.

Cuando rosque tubos de menos de una pulgada, sujete el Accionamiento firmemente con una mano con el fin de ejercer presión contra las vibraciones del mango generadas mientras se rosca.

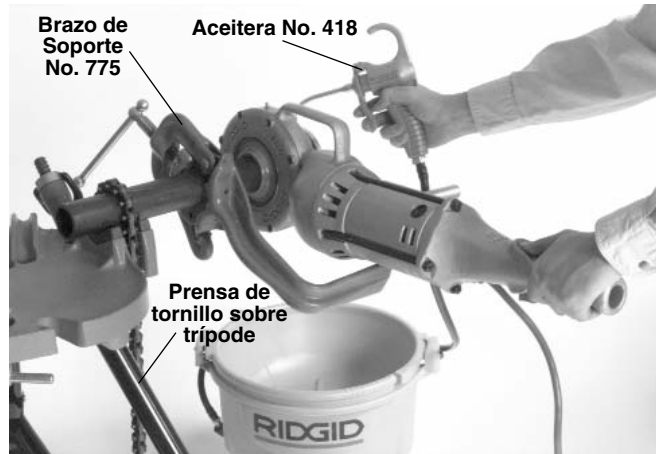


Figura 4 – Roscado de un tubo de 2 pulgadas con el Accionamiento ubicado al lado izquierdo de la Prensa de tornillo

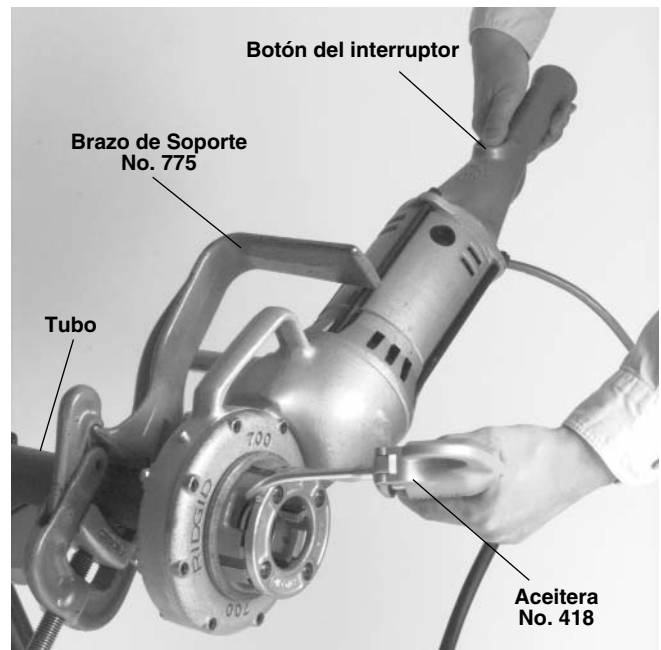


Figura 5 – Roscado de un tubo de 2 pulgadas con el Accionamiento ubicado al lado derecho de la Prensa de tornillo





Figura 6 – Roscado empleando una llave de tubo como brazo de soporte

- Coloque el Cabezal de Terrajas sobre el extremo del tubo.

**⚠ ADVERTENCIA** Para evitar lesiones graves, asegure que el Accionamiento esté bien colocado en el brazo de soporte (Figuras 4, 5 y 6). Para roscas a mano derecha, el cabezal de terrajas girará hacia la derecha (mirando la cara del cabezal de terrajas). Las fuerzas que se generen debido a la torsión creada por la acción roscadora irán en dirección opuesta o hacia la izquierda.

- En forma simultanea accione el botón del interruptor y ejerza presión contra el cabezal de terrajas con la palma de su mano libre para iniciar la rosca. Mientras rosca, aplique abundante aceite para roscar sobre las terrajas. Así se requiere menos torsión para roscar y se logran roscas de mejor calidad.
- Mantenga el interruptor oprimido hasta que el extremo del tubo esté al ras con el borde de las terrajas. Suelte el botón del interruptor.
- Retire el cabezal de terrajas del tubo recién roscado moviendo el botón del interruptor en la dirección opuesta.

**⚠ ADVERTENCIA** Para evitar lesionarse, sujete el mango del Accionamiento con firmeza para oponer resistencia a las fuerzas que se generan cuando usted retira el cabezal de terrajas.

- Cuando las terrajas hayan salido del extremo del tubo, agarre el mango en la parte superior del Accionamiento y extraiga el Accionamiento Motorizado y el Cabezal de Terrajas fuera del tubo.
- Extraiga el brazo de soporte fuera del tubo, y el tubo fuera de la prensa de tornillo.

**⚠ ADVERTENCIA** Para evitar lesionarse, asegure que los tubos largos estén bien sujetos en el extremo más alejado de la prensa de tornillo antes de retirarlos.

- Limpie el aceite que pueda haber sido derramado o salpicado en el suelo circundante.

## Accesorios

**⚠ ADVERTENCIA** Los siguientes productos RIDGID son los únicos aptos para funcionar con el Accionamiento Motorizado No. 700. Los accesorios de otras herramientas pueden resultar peligrosos si se usan en este Accionamiento Motorizado. Para evitar lesiones de gravedad, sólo use los accesorios que se listan a continuación.

### Accesorios para el Accionamiento Motorizado

Modelo No.	Descripción
770	Adaptador para la 00-R y la 00-RB
771	Adaptador para la 0-R
772	Adaptador para la 11-R
773	Adaptador para la 111-R
774	Adaptador Cuadrado para el accionamiento
775	Brazo de Soporte para el Acc. Motorizado No. 700
B-171-X	Maletín para el Acc. No. 700 y accesorios
418	Aceitera con un galón de Aceite Nu-Clear para Cortar Roscas
—	Grasa de motor para el cabezal de engranajes

**¡NOTA!** Consulte el Catálogo de Herramientas RIDGID para conocer el listado completo de sujetatubos, prensas de tornillo o tornillos de banco y aceites para cortar roscas.

### Roscadoras: Drop Head Threaders

- 12-R
- 00-R
- 11-R
- 00-RB

Para especificaciones y números en el catálogo, consulte a un distribuidor RIDGID o el catálogo Ridge.

## Instrucciones de mantenimiento

**⚠ ADVERTENCIA**  
**Cerciórese de que el Accionamiento Motorizado se encuentre desenchufado antes de efectuarle cualquier ajuste o mantenimiento.**

## Recambio de las escobillas del motor

Revise las escobillas del motor cada seis (6) meses y recámbielas cuando se hayan desgastado a menos de 1/4 pulgada.

## Lubricación

Engrase los engranajes y cojinetes cada 3 a 6 meses, dependiendo del uso que se le dé al Accionamiento Motorizado. Los orificios para el engrase se encuentran en el alojamiento de la caja de engranajes.

## Almacenamiento de la máquina

**⚠ ADVERTENCIA** Los equipos a motor deben guardarse dentro, bajo techo, o bien cubiertos para guarecerlos de la lluvia. Almacene la máquina bajo llave, fuera del alcance de los niños y personas que no conocen el manejo de este Accionamiento Motorizado. Esta máquina puede causar graves lesiones en manos de usuarios sin entrenamiento.

## Servicio y reparaciones

### ⚠ ADVERTENCIA



El servicio y reparaciones a este Accionamiento Motorizado deben ser realizados por técnicos de reparaciones calificados. El Accionamiento Motorizado debe llevarse a un Servicentro Independiente Autorizado de RIDGID o devuelto a la fábrica. Todo servicio efectuado por un taller de reparaciones Ridge está garantizado contra defectos de los materiales o de la mano de obra.

**⚠ ADVERTENCIA** Sólo deben usarse piezas de recambio idénticas cuando se le hace mantenimiento a este Accionamiento Motorizado. Si no se siguen estas instrucciones, pueden ocurrir choques eléctricos u otras lesiones de gravedad.

Si tiene cualquier pregunta relativa al servicio o reparación de esta máquina, llame o escriba a:

Ridge Tool Company  
Technical Service Department  
400 Clark Street  
Elyria, Ohio 44035-6001  
Tel: (800) 519-3456  
E-mail: TechServices@ridgid.com

Para el nombre y la dirección del Servicentro Independiente Autorizado más cercano, llame a Ridge Tool Company al (800) 519-3456 o visite nuestro sitio web: <http://www.ridgid.com>

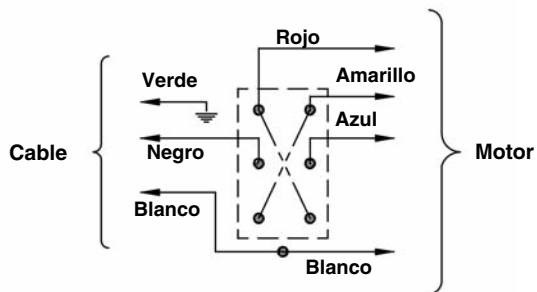
## Detección de averías

**ADVERTENCIA:** Antes de hacerle mantenimiento o efectuar reparaciones al Accionamiento motorizado, siempre desconecte el aparato del suministro de corriente.

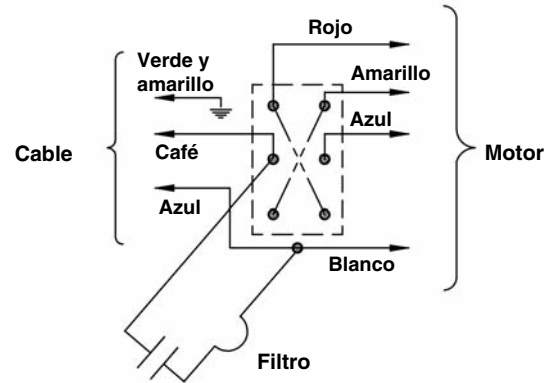
PROBLEMA	CAUSA	REMEDIO
<b>El motor no arranca</b>	El Accionamiento motorizado está desenchufado Se ha quemado el fusible Las escobillas no tocan el armazón	Enchufe el aparato al suministro eléctrico Instale un fusible nuevo Revise las escobillas y recámbielas si están desgastadas
<b>El motor suena sobrecargado</b>	Sobrecarga debido a terrajas desafiladas Insuficiente aceite para roscar o de mala calidad	Recambie las terrajas Use suficiente aceite para cortar roscas marca RIDGID
<b>El motor genera chispas</b>	Mal contacto entre las escobillas y el portaescobillas Las escobillas no tocan al conmutador debidamente Las escobillas son de una marca diferente Las escobillas tienen bordes afilados	Apriete los tornillos, asegure que la escobilla está firmemente presionada contra el conmutador Recambie las escobillas desgastadas Sólo use escobillas originales Elimine el borde cortante
<b>El cabezal de terrajas no comienza a roscar</b>	Terrajas rotas o desafiladas El aparato está funcionando en la dirección opuesta Terrajas mal puestas o mal reguladas	Recambie las terrajas Verifique que el interruptor direccional esté puesto en la dirección correcta Vuelva a insertar las terrajas
<b>Rosca dañada</b>	Terrajas desafiladas Las terrajas no están colocadas en la secuencia correcta Baja calidad del tubo Insuficiente aceite para roscar o de mala calidad	Recambie las terrajas Coloque las terrajas en la secuencia correcta Sólo trabaje con tubos de buena calidad Use suficiente aceite para cortar roscas marca RIDGID
<b>El brazo de soporte gira durante el roscado</b>	El tornillo de alimentación del Brazo de Soporte no se encuentra bien apretado Las mordazas del Brazo de Soporte están sucias El Brazo de Soporte no se encuentra plenamente asentado en el tubo	Apriete el tornillo de alimentación Límpielas con una escobilla de alambres Asegure que se asiente plenamente en el tubo
<b>Los cabezales de terrajas no pueden cambiarse debidamente</b>	En el extremo acanalado del cabezal de terrajas se han formado rebabas	Elimine las rebabas con una lima

## Diagrama de cableado (115/230 V)

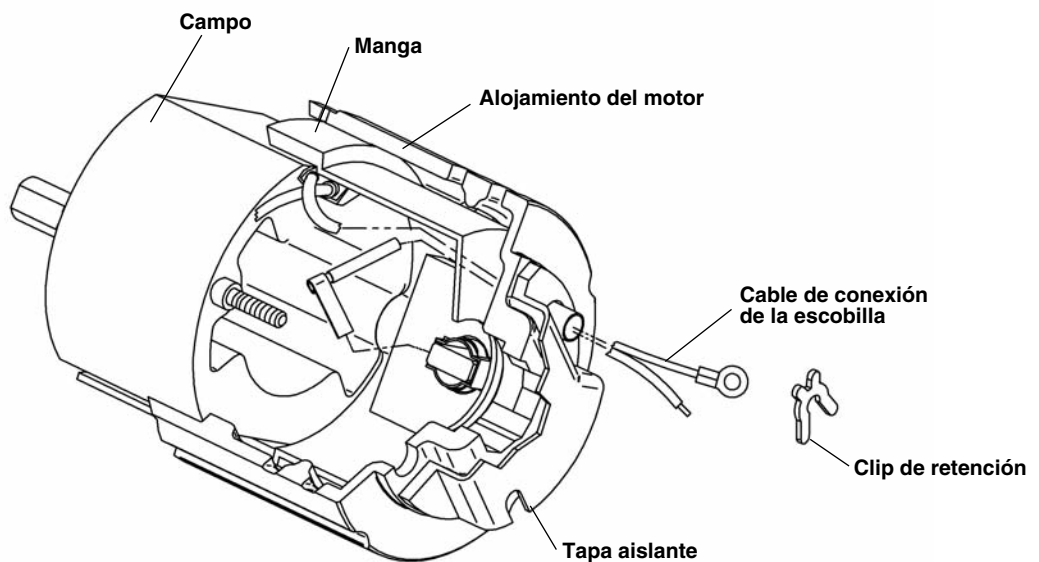
### Código de colores básico



### Código europeo de colores (230V)



## Conexiones de la escobilla







#### What is covered

RIDGID® tools are warranted to be free of defects in workmanship and material.

#### How long coverage lasts

This warranty lasts for the lifetime of the RIDGID® tool. Warranty coverage ends when the product becomes unusable for reasons other than defects in workmanship or material.

#### How you can get service

To obtain the benefit of this warranty, deliver via prepaid transportation the complete product to RIDGE TOOL COMPANY, Elyria, Ohio, or any authorized RIDGID® INDEPENDENT SERVICE CENTER. Pipe wrenches and other hand tools should be returned to the place of purchase.

#### What we will do to correct problems

Warranted products will be repaired or replaced, at RIDGE TOOL'S option, and returned at no charge; or, if after three attempts to repair or replace during the warranty period the product is still defective, you can elect to receive a full refund of your purchase price.

#### What is not covered

Failures due to misuse, abuse or normal wear and tear are not covered by this warranty. RIDGE TOOL shall not be responsible for any incidental or consequential damages.

#### How local law relates to the warranty

Some states do not allow the exclusion or limitation of incidental or consequential damages, so the above limitation or exclusion may not apply to you. This warranty gives you specific rights, and you may also have other rights, which vary, from state to state, province to province, or country to country.

#### No other express warranty applies

This FULL LIFETIME WARRANTY is the sole and exclusive warranty for RIDGID® products. No employee, agent, dealer, or other person is authorized to alter this warranty or make any other warranty on behalf of the RIDGE TOOL COMPANY.



FULL LIFETIME WARRANTY (garantie légale étendue à la durée de vie du produit, voir conditions de garantie / legal warranty extended to the product lifecycle, see warranty conditions)

Parts are available online at [RIDGIDParts.com](http://RIDGIDParts.com)



#### Ridge Tool Company

400 Clark Street  
Elyria, Ohio 44035-6001  
U.S.A.

#### Ce qui est couvert

Les outils RIDGID® sont garantis contre tous vices de matériaux et de main d'oeuvre.

#### Durée de couverture

Cette garantie est applicable durant la vie entière de l'outil RIDGID®. La couverture cesse dès lors que le produit devient inutilisable pour raisons autres que des vices de matériaux ou de main d'oeuvre.

#### Pour invoquer la garantie

Pour toutes réparations au titre de la garantie, il convient d'expédier le produit complet en port payé à la RIDGE TOOL COMPANY, Elyria, Ohio, ou bien le remettre à un réparateur RIDGID® agréé. Les clés à pipe et autres outils à main doivent être ramenés au lieu d'achat.

#### Ce que nous ferons pour résoudre le problème

Les produits sous garantie seront à la discrétion de RIDGE TOOL, soit réparés ou remplacés, puis réexpédiés gratuitement ; ou si, après trois tentatives de réparation ou de remplacement durant la période de validité de la garantie le produit s'avère toujours défectueux, vous aurez l'option de demander le remboursement intégral de son prix d'achat.

#### Ce qui n'est pas couvert

Les défaillances dues au mauvais emploi, à l'abus ou à l'usure normale ne sont pas couvertes par cette garantie. RIDGE TOOL ne sera tenue responsable d'aucuns dommages directs ou indirects.

#### L'influence de la législation locale sur la garantie

Puisque certaines législations locales interdisent l'exclusion des dommages directs ou indirects, il se peut que la limitation ou exclusion ci-dessus ne vous soit pas applicable. Cette garantie vous donne des droits spécifiques qui peuvent être éventuellement complétés par d'autres droits prévus par votre législation locale.

#### Il n'existe aucune autre garantie expresse

Cette GARANTIE PERPETUELLE INTEGRALE est la seule et unique garantie couvrant les produits RIDGID®. Aucun employé, agent, distributeur ou tiers n'est autorisé à modifier cette garantie ou à offrir une garantie supplémentaire au nom de la RIDGE TOOL COMPANY.

#### Qué cubre

Las herramientas RIDGID están garantizadas contra defectos de la mano de obra y de los materiales empleados en su fabricación.

#### Duración de la cobertura

Esta garantía cubre a la herramienta RIDGID durante toda su vida útil. La cobertura de la garantía caduca cuando el producto se torna inservible por razones distintas a las de defectos en la mano de obra o en los materiales.

#### Cómo obtener servicio

Para obtener los beneficios de esta garantía, envíe mediante porte pagado, la totalidad del producto a RIDGE TOOL COMPANY, en Elyria, Ohio, o a cualquier Servicentro Independiente RIDGID. Las llaves para tubos y demás herramientas de mano deben devolverse a la tienda donde se adquirieron.

#### Lo que hacemos para corregir el problema

El producto bajo garantía será reparado o reemplazado por otro, a discreción de RIDGE TOOL, y devuelto sin costo; o, si aún resulta defectuoso después de haber sido reparado o sustituido tres veces durante el período de su garantía, Ud. puede optar por recibir un reembolso por el valor total de su compra.

#### Lo que no está cubierto

Esta garantía no cubre fallas debido al mal uso, abuso o desgaste normal. RIDGE TOOL no se hace responsable de daño incidental o consiguiente alguno.

#### Relación entre la garantía y las leyes locales

Algunos estados de los EE.UU. no permiten la exclusión o restricción referente a daños incidentales o consiguientes. Por lo tanto, puede que la limitación o restricción mencionada anteriormente no rija para Ud. Esta garantía le otorga derechos específicos, y puede que, además, Ud tenga otros derechos, los cuales varían de estado a estado, provincia a provincia o país a país.

#### No rige ninguna otra garantía expresa

Esta GARANTIA VITALICIA es la única y exclusiva garantía para los productos RIDGID. Ningún empleado, agente, distribuidor u otra persona está autorizado para modificar esta garantía u ofrecer cualquier otra garantía en nombre de RIDGE TOOL COMPANY.

©2007, 2015 RIDGID, Inc.

Printed 2/15  
EC41344

The Emerson logo and RIDGID logo are registered trademarks of Emerson Electric Co. or RIDGID, Inc. in the U.S. and other countries. All other trademarks belong to their respective holders.

940-707-010-10  
REV. D

We  
Build  
Reputations™

RIDGID®



Commercial & Residential Solutions